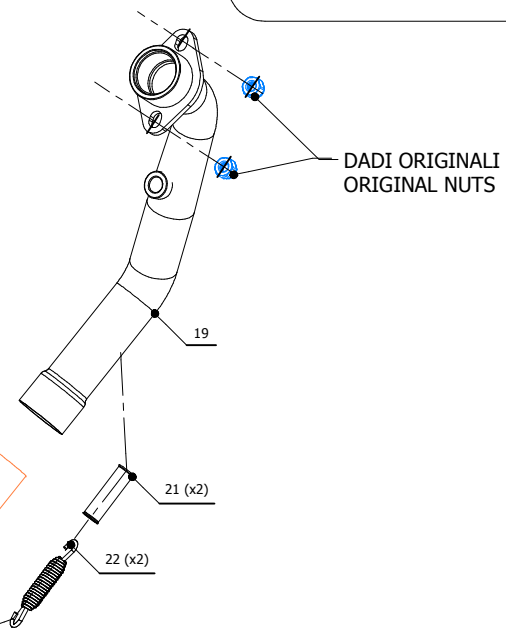
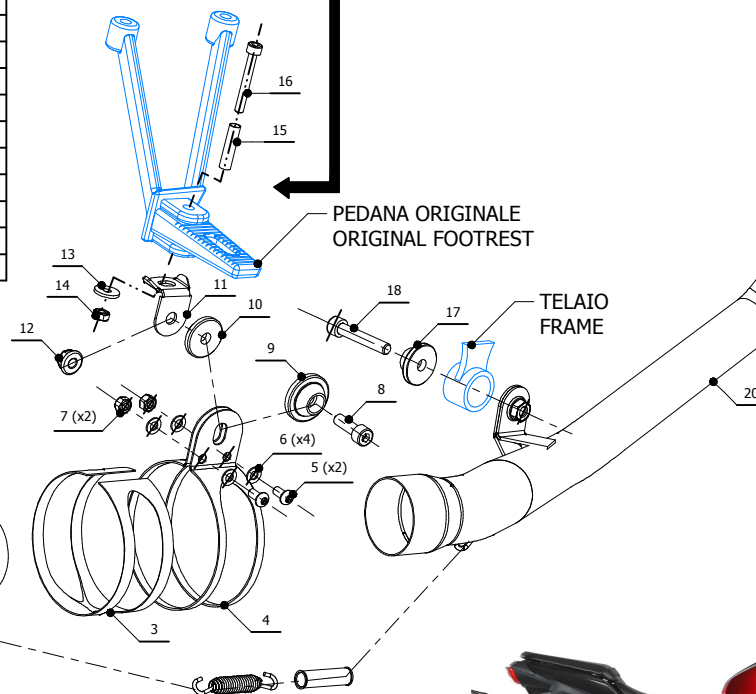
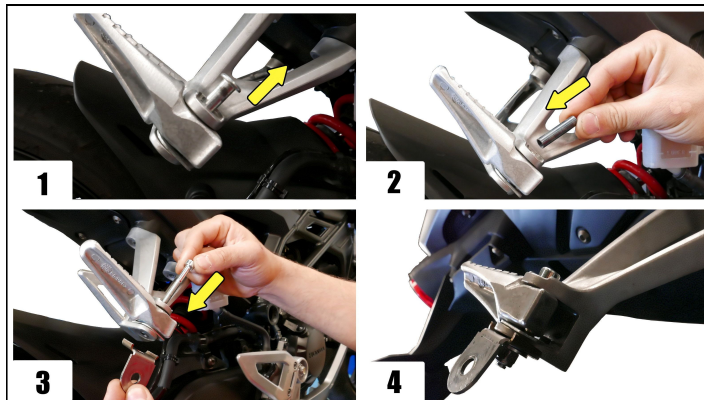
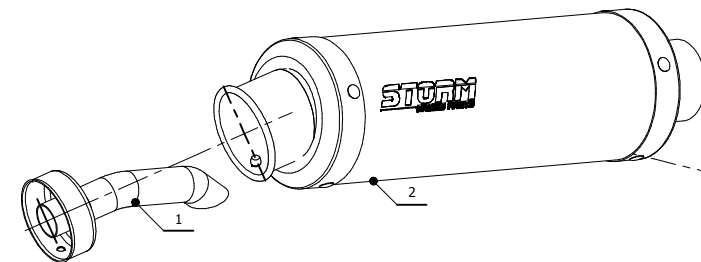


ELENCO PARTI / PARTS LIST

#	QTÀ / QTY	DESCRIZIONE / DESCRIPTION	CODICE / CODE
1	1	DB killer / DB killer	50.DK.021.0
2	1	Silenziatore / Muffler	GP
3	1	Protezione in gomma per staffa / Rubber protection for bracket	50.73.077.1
4	1	Staffa / Bracket	50.SS.241.1
5	2	Vite M6 x 12 / Screw M6 x 12	50.72.024.1
6	4	Rondella M6 / Washer M6	50.72.027.1
7	2	Dado M6 / Nut M6	50.73.146.1
8	1	Vite M8x25 / Screw M8x25	50.73.064.1
9	1	Rondella in alluminio / Aluminium washer	50.73.063.1
10	1	Distanziale in alluminio / Aluminium spacer (Øe.30 Øi.8,5 h.5)	50.73.124.1
11	1	Staffa / Bracket	50.SS.1132.0
12	1	Dado M8 flangiato / Flanged nut M8	50.73.393.1
13	1	Rondella M6 / Washer M6	50.73.187.1
14	1	Dado M6 autobloccante / M6 locknut	50.73.112.1
15	1	Bussola / Bush	50.73.932.1
16	1	Vite M6x45 / Screw M6x45	50.73.590.1
17	1	Rondella in alluminio nera / Black aluminium washer	50.73.221.1
18	1	Vite M8x45 / Screw M8x45	50.73.602.1
19	1	Tubo collettore / Down pipe	9773H077S2A
20	1	Tubo di raccordo / Link pipe	9773H077S2B
21	2	Tubo in gomma per molla / Rubber pipe for spring	50.73.049.0
22	2	Molla media / Mid-size spring	50.73.359.1



Catalytic Converter
Cod. ACC.073.A1
Optional for 74.H.077.LXS - 74.H.077.LXSB
Included in 74.H.077.KXS - 74.H.077.KXSB



APPLICAZIONI / APPLICATIONS				
CODICE / CODE	SILENZIATORE / MUFFLER	TUBO / PIPE	FASCETTA / CLAMP	NOTE
74.H.077.LXS	INOX / ST. STEEL	INOX / ST. STEEL	INOX / ST. STEEL	CATALYTIC CONVERTER NOT INCLUDED
74.H.077.LXSB	INOX / ST. STEEL	INOX / ST. STEEL	INOX / ST. STEEL	CATALYTIC CONVERTER INCLUDED