



MODEL KAWASAKI Z900

YEAR 2020 -->

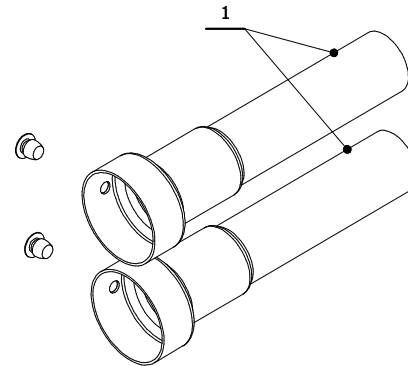
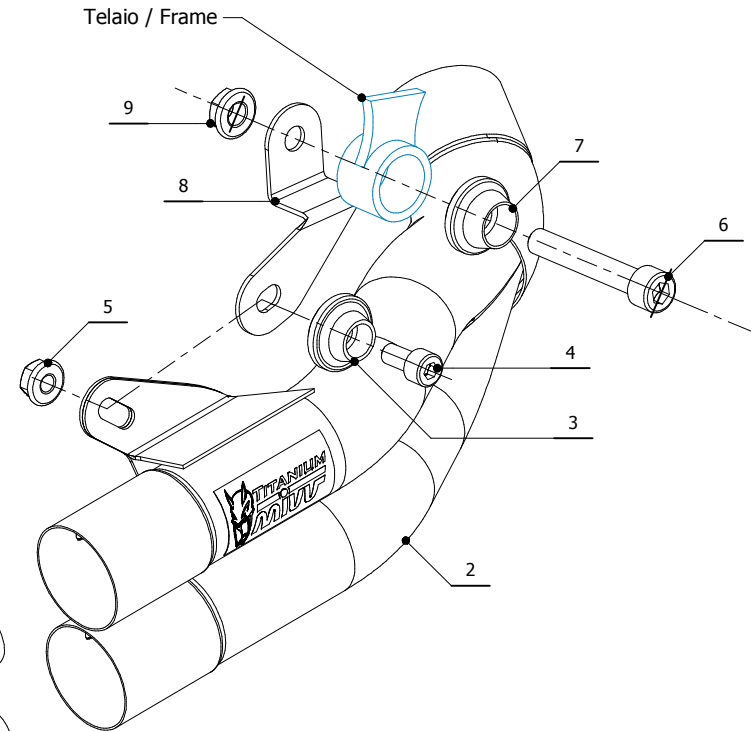
LINE SLIP ON

MUFFLER DOUBLE GUN

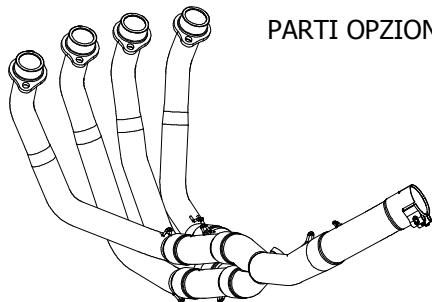
SCHEMATIC

ELENCO PARTI / PARTS LIST

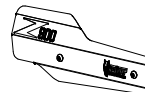
#	QTÀ / QTY	DESCRIZIONE / DESCRIPTION	CODICE / CODE
1	2	DB killer / DB killer	50.DK.059.0
2	1	Silenziatore / Muffler	DOUBLE GUN
3	1	Rondella in alluminio nera M8 / Black aluminium washer M8	50.73.221.1
4	1	Vite M8x16 / Screw M8x16	50.73.575.1
5	1	Dado M8 flangiato / Flanged nut M8	50.73.393.1
6	1	Vite M10x60 / Screw M10x60	50.73.135.1
7	1	Rondella in alluminio nera M10 / Black aluminium washer M10	50.73.330.1
8	1	Staffa / Bracket	50.SS.991.0
9	1	Dado M10 flangiato / Flanged nut M10	50.73.332.1



PARTI OPZIONALI / OPTIONAL PARTS



IMPIANTO ELIMINA KAT / NO KAT PIPE
00.73.K.052.C1



COVER IN ACCIAIO / STEEL COVER
50.CR.037.0

APPLICAZIONI / APPLICATIONS

CODICE / CODE	SILENZIATORE / MUFFLER
K.052.SDG	TITANIO / TITANIUM
K.052.SDGB	INOX BLACK / BLACK ST. STEEL

