

DENALI™

HMT.07.10600

SPLIT HORN MOUNT

BMW

S 1000XR 2016 - PRESENT

Thank you for choosing DENALI

We know you would rather be riding your bike than wrenching on it, so we go the extra mile to make sure our instructions are clear and as easy to understand as possible. If you have any questions, comments, or suggestions don't hesitate to give our gear experts a call at 855.255.5550 or visit DenaliElectronics.com/instructions.

Please Read Before Installing

DENALI products should always be installed by a qualified motorcycle technician. If you are unsure of your ability to properly install a product, please have the product installed by your local motorcycle dealer. DENALI takes no responsibility for damages caused by improper installation. **Caution:** When installing electronics is it extremely important to pay close attention to how wires are routed, especially when mounting products to the front fender, front forks, or fairing of your motorcycle. Always be sure to turn the handlebars fully left, fully right, and fully compress the suspension to ensure the wires will not bind and have enough slack for your motorcycle to operate properly.

Installation Tips

We strongly recommend using medium strength liquid thread locker on all screws, nuts, and bolts. It is also important to ensure that all hardware is tightened to the proper torque specifications as listed in your owner's manual. For included accessory hardware please refer to the default torque specifications provided below. Inspect all hardware after the first 30 miles to ensure proper torque specifications are maintained.

Bolt Size	in-lbs	ft-lbs	Nm
M3	10.0 in-lbs	-	1.0 Nm
M4	23.0 in-lbs	-	2.5 Nm
M5	44.5 in-lbs	3.5 ft-lbs	5.0 Nm
M6	78.0 in-lbs	6.5 ft-lbs	9.0 Nm
M8	-	13.5 ft-lbs	18.0 Nm
M10	-	30.0 ft-lbs	41.0 Nm
M12	-	52.0 ft-lbs	71.0 Nm

Hardware Sizing Guide

Not sure what size bolt you have? Use this ruler to measure screws, bolts, spacers, etc. Remember, the length of a screw or bolt is measured from the start of the "mounting surface" to the end of the screw, so only include the screw head when measuring countersunk screws.

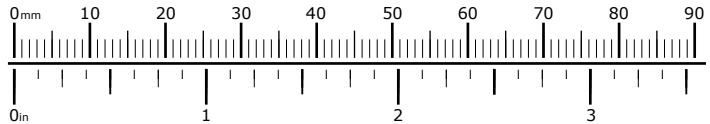


FIGURE 1

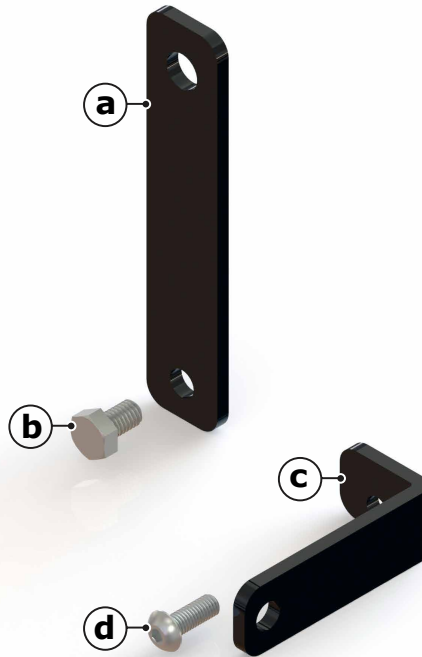


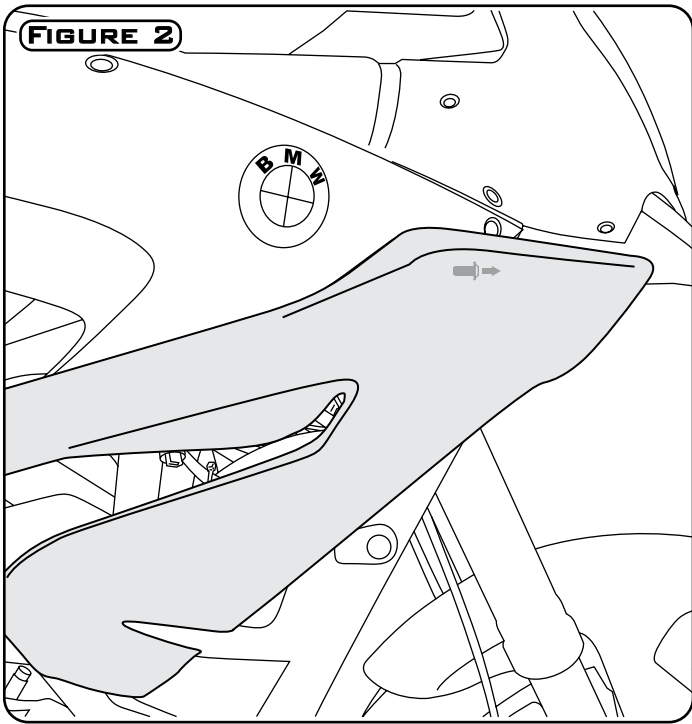
Illustration not to scale

Kit Contents

- (a) Compressor Bracket.....Qty 1
- (b) M6x10 DIN 933.....Qty 1
- (c) Trumpet Bracket.....Qty 1
- (d) M5x14 ISO 7380.....Qty 1

Tools Required

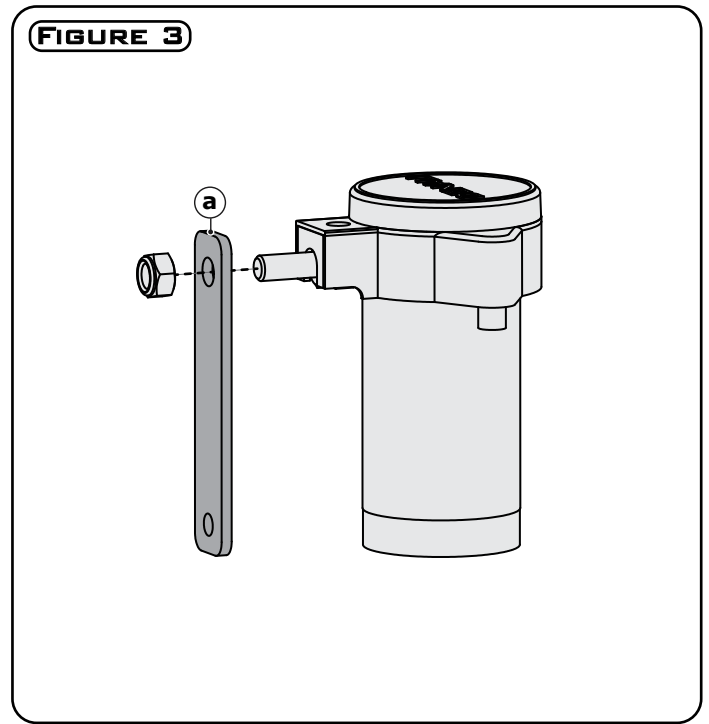
- T25 Torx Bit
- 3mm Allen Key
- 10mm Wrench
- 13mm Wrench



Accessing The Compressor Mounting Point

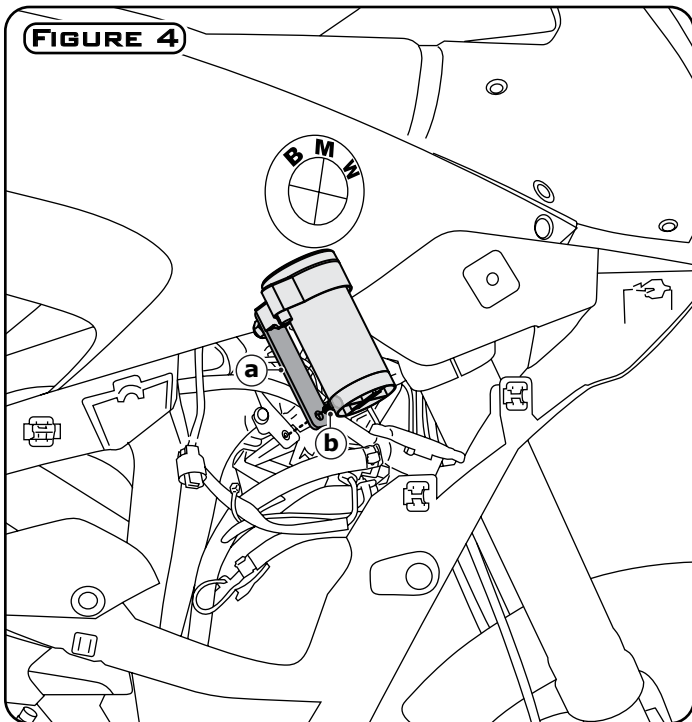
Step One: Remove the OEM screw from the inside of the right side panel using a T25 Torx Bit

Step Two: Once the screw has been removed, the panel can be removed by carefully pulling to release the six mounting tabs.



Mounting The Bracket

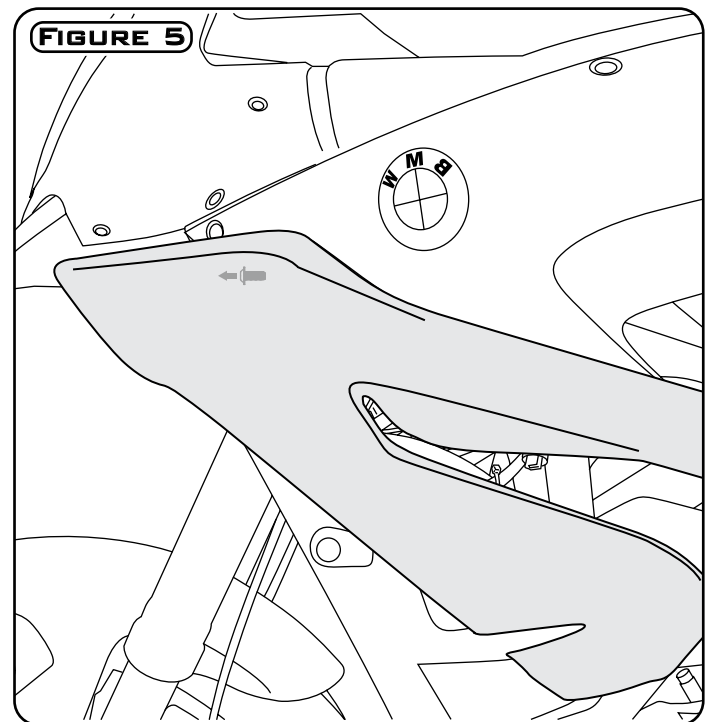
Step Three: Use the hardware included with the horn and a 13mm wrench to attach the bracket (a) to the compressor.



Installing The Compressor

Step Four: Remove the OEM horn and mounting bracket from the motorcycle.

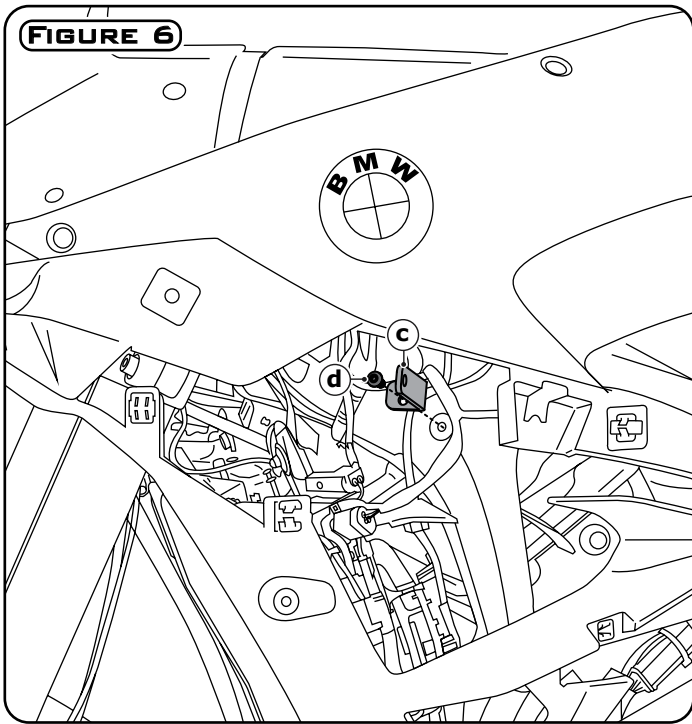
Step Five: Use M6x10 bolt (b) and a 10mm wrench to attach the bracket (a) and compressor to the OEM horn mounting location as illustrated above.



Accessing The Trumpet Mounting Point

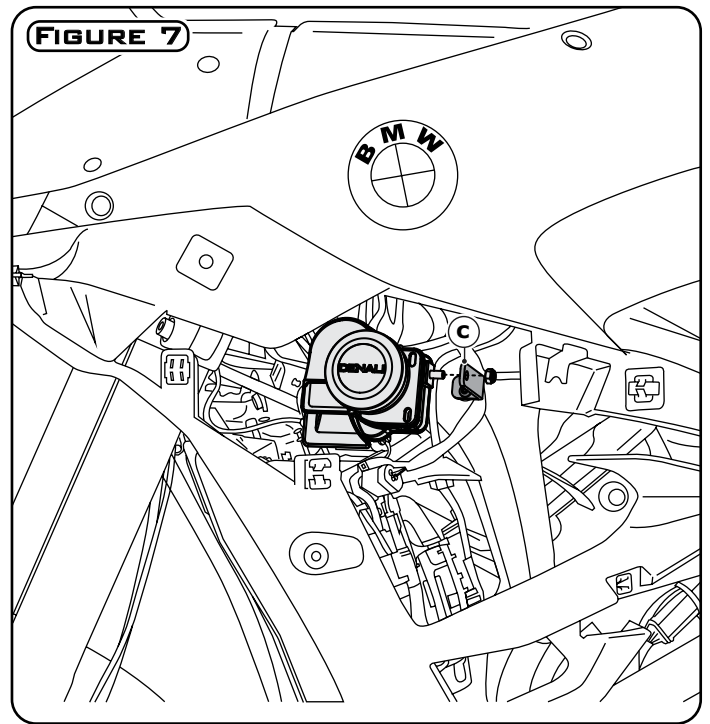
Step Six: Remove the OEM screw from the inside of the left side panel using a T25 Torx Bit

Step Seven: Once the screw has been removed the panel can be removed by carefully pulling to release the six mounting tabs.



Mounting The Bracket

Step Eight: Use the M5x14 bolt (d) and a 3mm allen key to attach bracket (c) to the location illustrated above.



Installing The Trumpet

Step Nine: Use the hardware included with the horn and a 10mm wrench to attach the trumpet to the bracket (c).

Step Ten: Route the hose included with the horn through the motorcycle and attach the compressor to the trumpet.