



MODEL DUCATI MONSTER 696

YEAR 2008-->

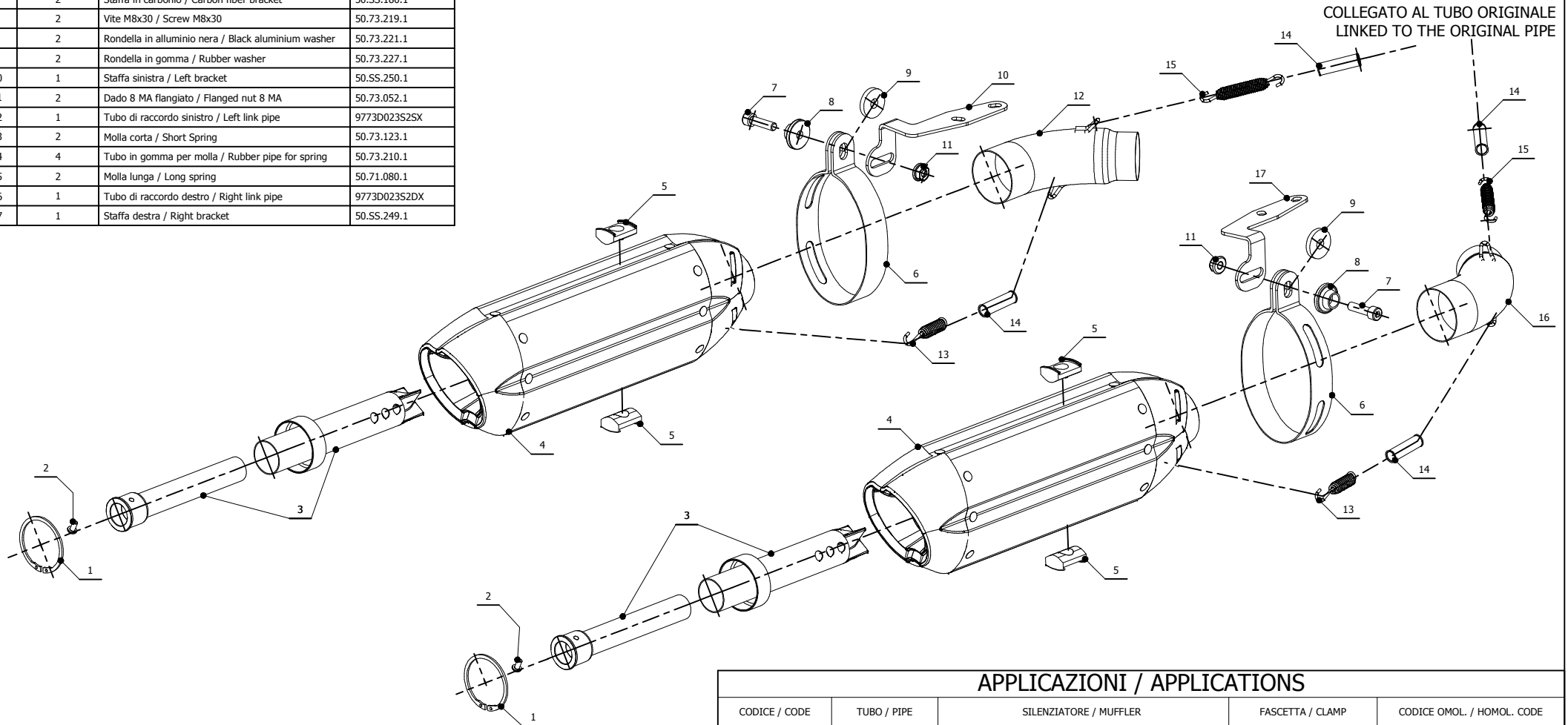
LINE SPORT

MUFFLER SUONO

SCHEMATIC

ELENCO PARTI / PARTS LIST

#	QTÀ / QTY	DESCRIZIONE / DESCRIPTION	CODICE / CODE
1	2	Anello Seger / Seger ring	50.73.218.1
2	2	Vite M5 x 8 / Screw M5 x 8	50.73.233.1
3	2	Db Killer / DB killer	50.DK.026.0
4	2	Silenziatore / Muffler	SUONO
5	4	Tassello grande / Rubber big block	50.73.203.1
6	2	Staffa in carbonio / Carbon fiber bracket	50.SS.180.1
7	2	Vite M8x30 / Screw M8x30	50.73.219.1
8	2	Rondella in alluminio nera / Black aluminium washer	50.73.221.1
9	2	Rondella in gomma / Rubber washer	50.73.227.1
10	1	Staffa sinistra / Left bracket	50.SS.250.1
11	2	Dado 8 MA flangiato / Flanged nut 8 MA	50.73.052.1
12	1	Tubo di raccordo sinistro / Left link pipe	9773D023S2SX
13	2	Molla corta / Short Spring	50.73.123.1
14	4	Tubo in gomma per molla / Rubber pipe for spring	50.73.210.1
15	2	Molla lunga / Long spring	50.71.080.1
16	1	Tubo di raccordo destro / Right link pipe	9773D023S2DX
17	1	Staffa destra / Right bracket	50.SS.249.1



APPLICAZIONI / APPLICATIONS

CODICE / CODE	TUBO / PIPE	SILENZIATORE / MUFFLER	FASCETTA / CLAMP	CODICE OMOL. / HOMOL. CODE
D.023.L7	INOX / ST. STEEL	INOX (COPPE CARBONIO) / ST. STEEL (CARBON CAPS)	CARBONIO / CARBON FIBER	ME027 e9 1219 ME028 e9 1220
D.023.L9	INOX / ST. STEEL	CARBONIO (COPPE CARBONIO) / CARBON (CARBON CAPS)	CARBONIO / CARBON FIBER	ME027 e9 1219 ME028 e9 1220