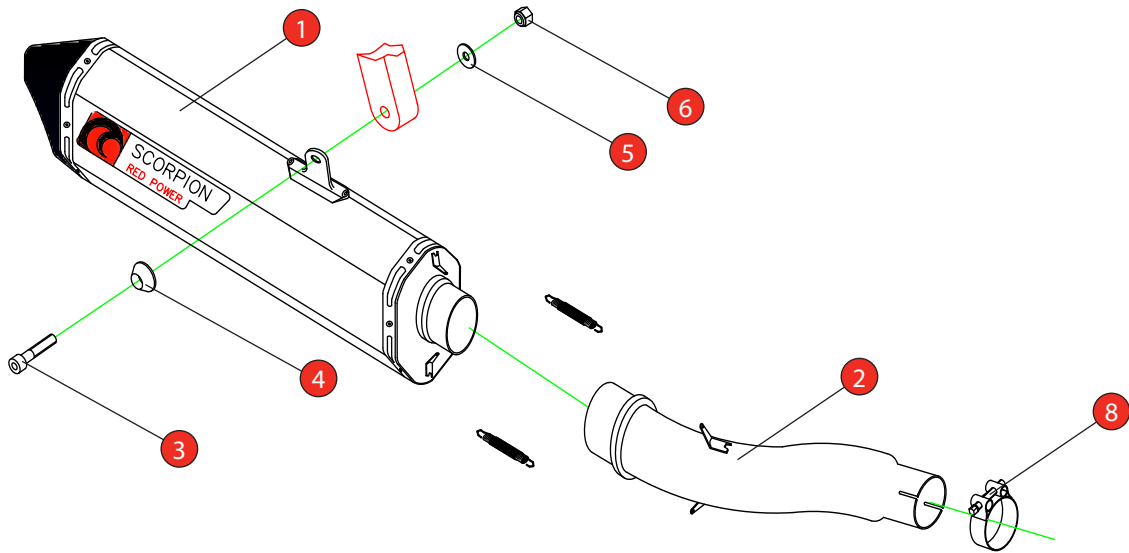


| | | | |
|--------------|--|------------------|-----------------------|
| Bike | Honda CBR500R | Part No. | RHA-179 |
| Year | 2016-2018 | Fit Kit | Z039.10620 |
| Notes | Where not supplied use original fittings | dB Killer | SCEXDBK42 - (TYPE MM) |

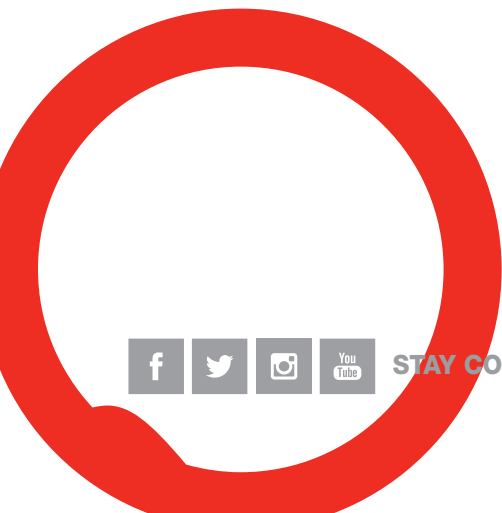
Estimated Fitting Time: 60 Minutes



| NO. | PART NO. | DESCRIPTION | QTY |
|-----------------------------|------------|-------------------------|-----|
| 1 | RSC422 | 400mm Serket Silencer | 1 |
| 2 | CP980 | Connecting Pipe | 1 |
| Fit Kit - Z039.10620 | | | |
| 3 | Z017.10079 | M8 x 55mm Cap Head Bolt | 1 |
| 4 | Z026.20068 | Alloy Bolt Finisher | 1 |
| 5 | Z017.10825 | M8 x 25mm Washer | 1 |
| 6 | Z017.10062 | M8 Nyloc Nut | 1 |
| 7 | Z028.10030 | Rubber Coated Spring | 2 |
| 8 | Z028.10008 | 43-47mm Clamp | 1 |

| | |
|------------|-----------|
| E-MARK | e11 00527 |
| DATE | 21/12/20 |
| ISSUE | 01 |
| AUTHORISED | M.Ydlibi |

NOTE: ENSURE SCORPION SYSTEM IS CLEAR OF MOVING PARTS AND ALL ORIGINAL FUNCTIONS WORK CORRECTLY.



STAY CONNECTED TO RED POWER.

| | | | |
|--------------|--|------------------|-----------------------|
| Bike | Honda CBR500R | Part No. | RHA-179 |
| Year | 2016-2018 | Fit Kit | Z039.10620 |
| Notes | Where not supplied use original fittings | dB Killer | SCEXDBK42 - (TYPE MM) |

Estimated Fitting Time: 60 Minutes



A) Remove original exhaust from bike, taking care to keep all original components in a safe place.

B) Refit Scorpion exhaust as per line diagram above.

C) When fitted take bike for a short ride to ensure all functions are correct.

D) When bike & exhaust are cool enough check all nuts and bolts are still secure.

Thank you for purchasing your Scorpion Silencer.

Care of your exhaust: Please refrain from cleaning silencer with heavy solvents or abrasives!

Vielen Dank Für den kauf eines Scorpion Schalldampfers! Pflegehinweis: Bitte verwenden Sie niemals Scheuermittel oder aggressive Reiniger zur Pflege Ihres Auspuffes!

Merci d'avoir choisi un echappement Scorpion.

Entretien de votre silencieux: Ne pas utiliser de solvants ou de produits abrasifs!

Muchas gracias por adquirir un Silencioso Scorpion. Le recomendamos no limpiar el silencioso con productos abrasivos o aquellos que contengan disolventes.



STAY CONNECTED TO RED POWER.