



**MODEL** YAMAHA YZF 1000 R1

**YEAR** 1998-2001

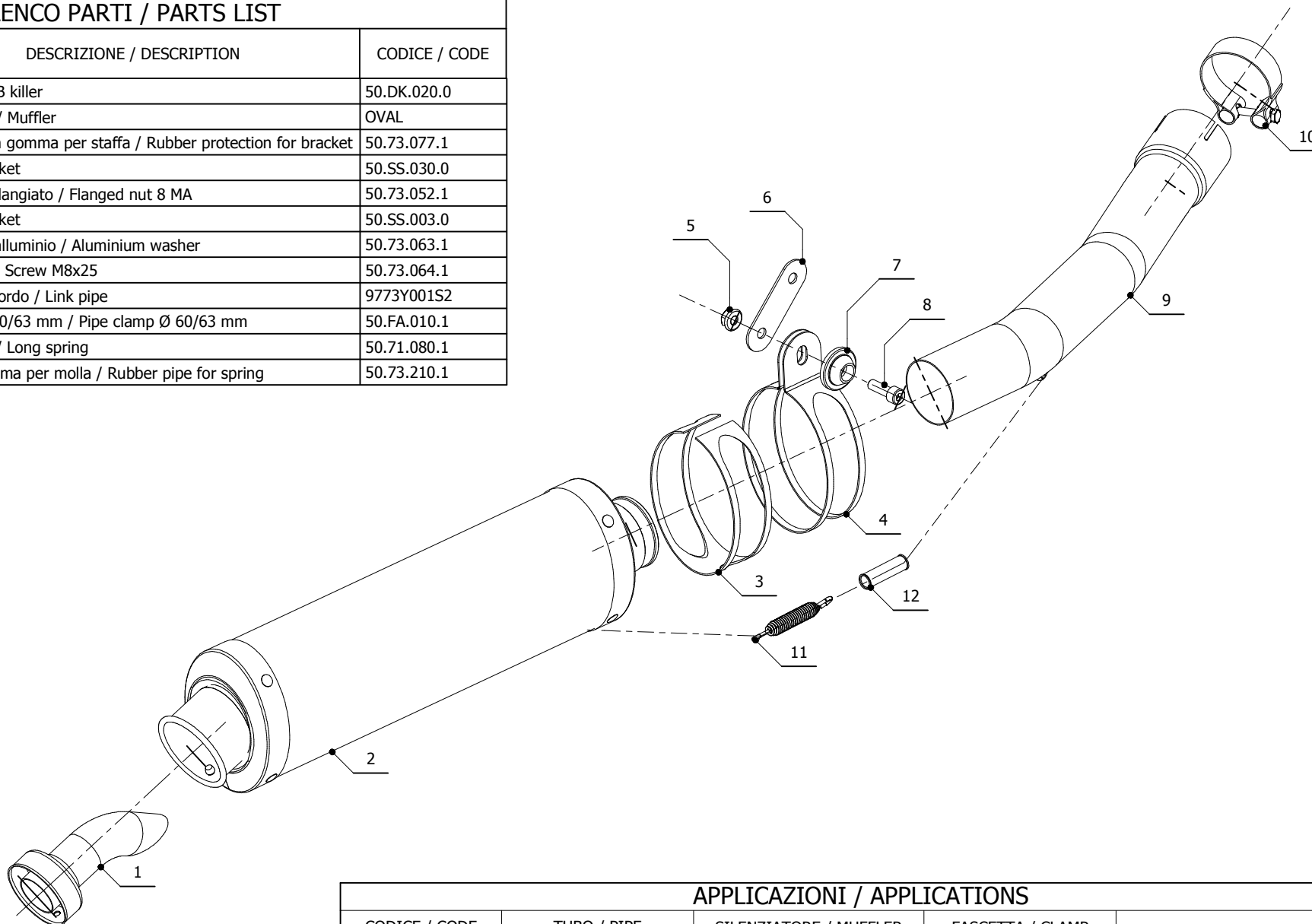
**LINE** SPORT

**MUFFLER** OVAL

**SCHEMATIC**

**ELENCO PARTI / PARTS LIST**

#	QTÀ / QTY	DESCRIZIONE / DESCRIPTION	CODICE / CODE
1	1	DB killer / DB killer	50.DK.020.0
2	1	Silenziatore / Muffler	OVAL
3	1	Protezione in gomma per staffa / Rubber protection for bracket	50.73.077.1
4	1	Staffa / Bracket	50.SS.030.0
5	1	Dado 8 MA flangiato / Flanged nut 8 MA	50.73.052.1
6	1	Staffa / Bracket	50.SS.003.0
7	1	Rondella in alluminio / Aluminium washer	50.73.063.1
8	1	Vite M8x25 / Screw M8x25	50.73.064.1
9	1	Tubo di raccordo / Link pipe	9773Y001S2
10	1	Fascetta Ø 60/63 mm / Pipe clamp Ø 60/63 mm	50.FA.010.1
11	1	Molla lunga / Long spring	50.71.080.1
12	1	Tubo in gomma per molla / Rubber pipe for spring	50.73.210.1



**APPLICAZIONI / APPLICATIONS**

CODICE / CODE	TUBO / PIPE	SILENZIATORE / MUFFLER	FASCETTA / CLAMP
Y.001.L3	INOX / ST. STEEL	CARBONIO / CARBON FIBER	INOX / ST. STEEL
Y.001.L4	INOX / ST. STEEL	TITANIO / TITANIUM	INOX / ST. STEEL
Y.001.LX1	INOX / ST. STEEL	INOX / ST. STEEL	INOX / ST. STEEL