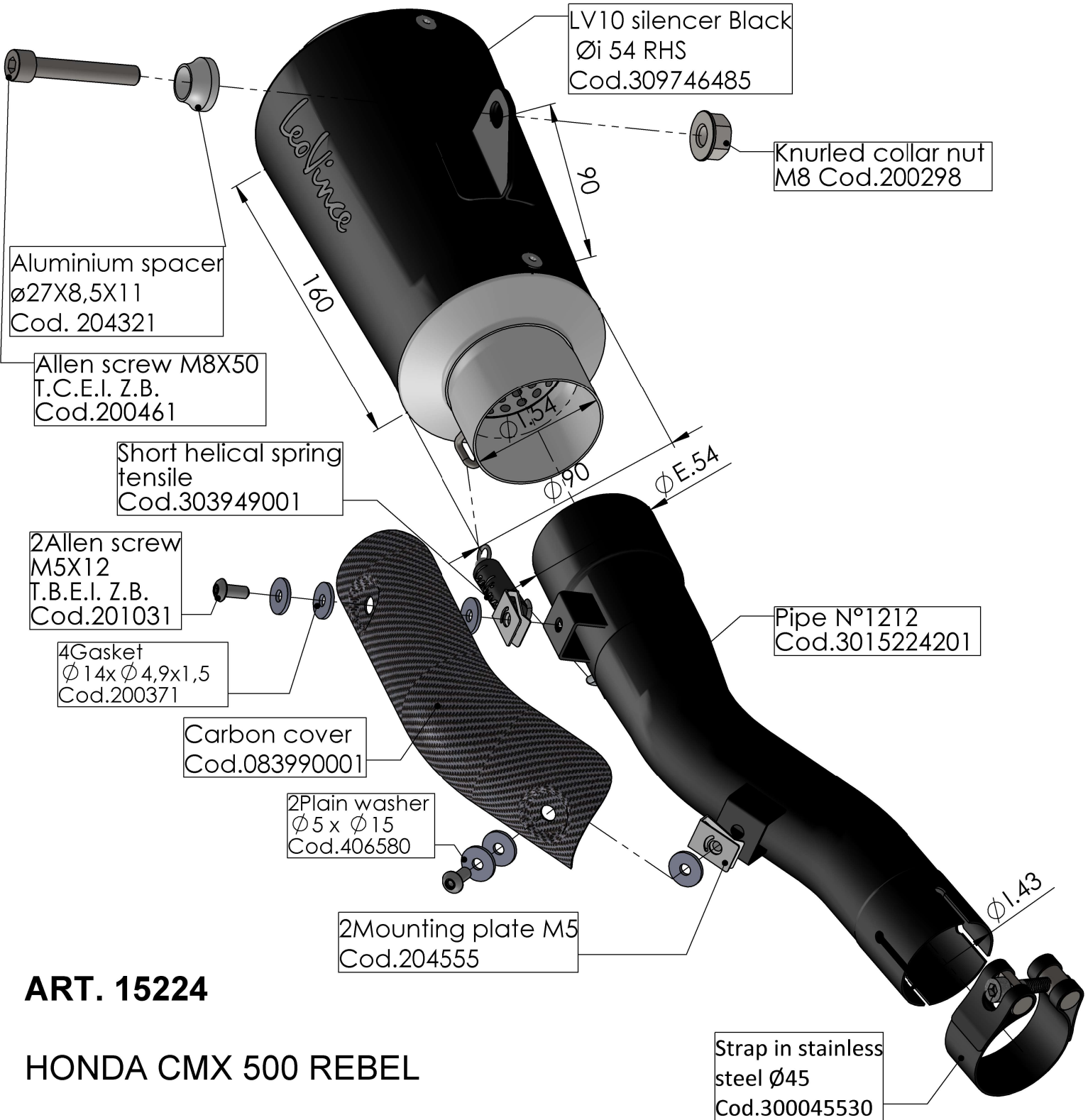


105



LV10 silencer Black
 Øi 54 RHS
 Cod.309746485

Knurled collar nut
 M8 Cod.200298

Aluminium spacer
 ø27X8,5X11
 Cod. 204321

Allen screw M8X50
 T.C.E.I. Z.B.
 Cod.200461

Short helical spring
 tensile
 Cod.303949001

2Allen screw
 M5X12
 T.B.E.I. Z.B.
 Cod.201031

4Gasket
 Ø14xØ4,9x1,5
 Cod.200371

Carbon cover
 Cod.083990001

2Plain washer
 Ø5 x Ø15
 Cod.406580

2Mounting plate M5
 Cod.204555

Pipe N°1212
 Cod.3015224201

Strap in stainless
 steel Ø45
 Cod.300045530

ART. 15224

HONDA CMX 500 REBEL

SLIP-ON - LV10 - BLACK