



MODEL SUZUKI GSX-S 1000 / 1000F YEAR 2015

LINE SPORT

MUFFLER SPEED EDGE

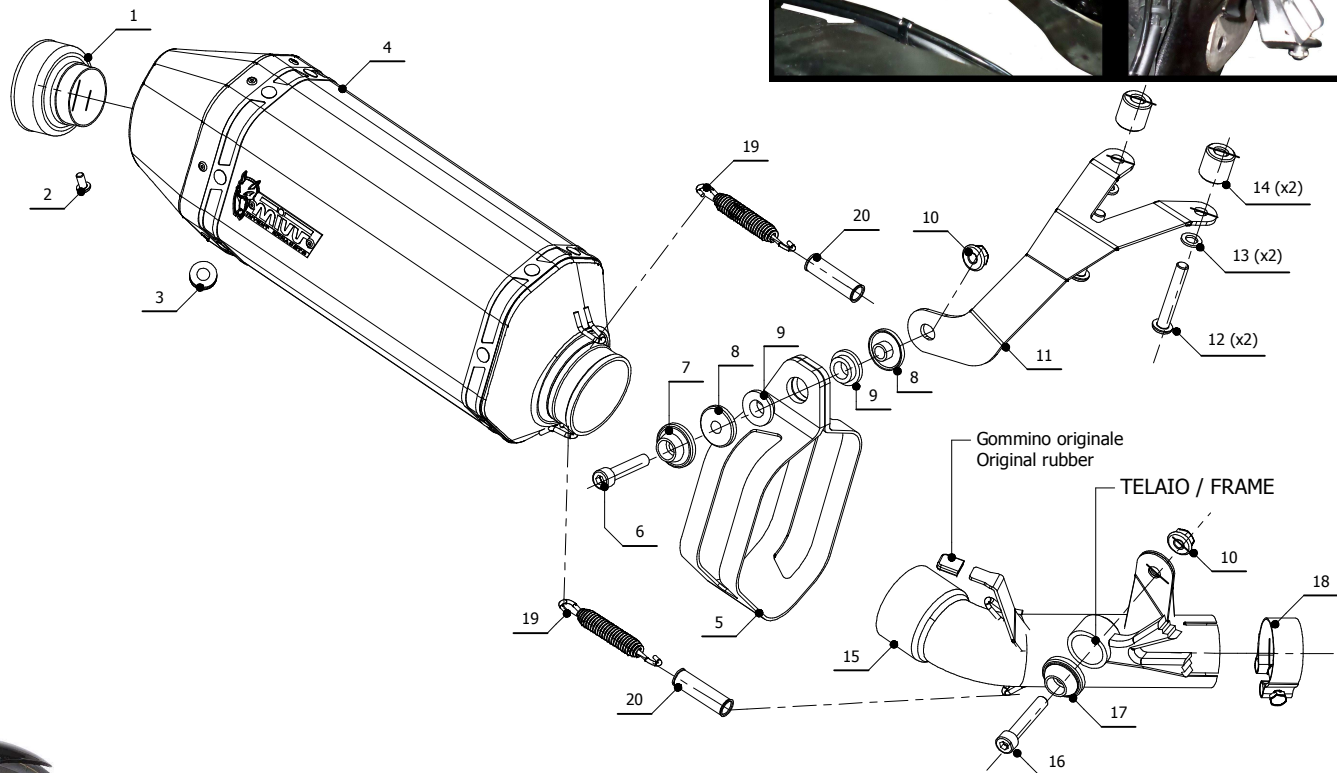
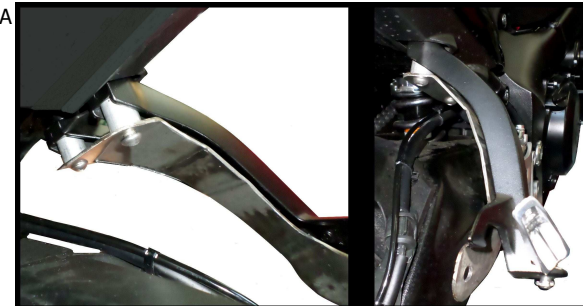
SCHEMATIC

ELENCO PARTI / PARTS LIST

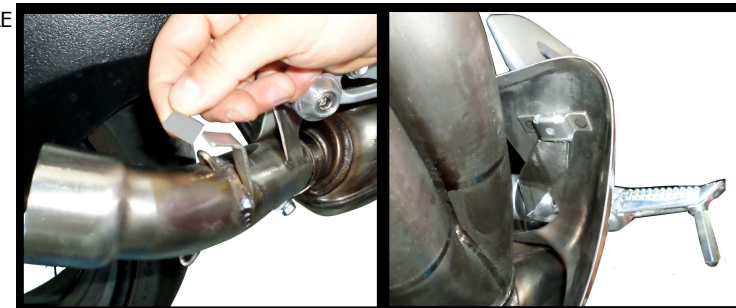
| #  | QTÀ / QTY | DESCRIZIONE / DESCRIPTION                                       | CODICE / CODE  |
|----|-----------|---|----------------|
| 1  | 1         | DB killer / DB killer   | 50.DK.086.0    |
| 2  | 1         | Vite M5 x 8 / Screw M5 x 8                                      | 50.73.459.1    |
| 3  | 1         | Tappo in gomma / Rubber stopper                                 | 50.73.266.1    |
| 4  | 1         | Silenziatore / Muffler  | SPEED EDGE 250 |
| 5  | 1         | Staffa in carbonio / Carbon fiber bracket                       | 50.SS.814.1    |
| 6  | 1         | Vite M8x40 / Screw M8x40  | 50.73.075.1    |
| 7  | 1         | Rondella in alluminio nera / Black aluminium washer             | 50.73.221.1    |
| 8  | 2         | Boccola / Bush  | 50.73.381.1    |
| 9  | 2         | Silentblock / Silentblock                                       | 50.73.380.1    |
| 10 | 2         | Dado M8 flangiato / Flanged nut M8                              | 50.73.393.1    |
| 11 | 1         | Staffa / Braket   | 50.SS.914.0    |
| 12 | 2         | Vite M8 x 50 / Screw M8 x 50                                    | 50.73.088.1    |
| 13 | 2         | Rondella M8 / Washer M8   | 50.73.270.1    |
| 14 | 2         | Distanziale in alluminio / Aluminium spacer (Øe.20 Øi.8,5 h.20) | 50.SS.073.1    |
| 15 | 1         | Tubo di raccordo / Link pipe                                    | 9773S044SRX    |
| 16 | 1         | Vite M8x45 / Screw M8x45  | 50.73.602.1    |
| 17 | 1         | Rondella alluminio / Aluminium washer                           | 50.73.291.1    |
| 18 | 1         | Fascetta Ø 44/47 mm / Pipe clamp Ø 44/47 mm                     | 50.FA.006.1    |
| 19 | 2         | Molla media / Middle spring                                     | 50.73.359.1    |
| 20 | 2         | Tubo in gomma per molla / Rubber pipe for spring                | 50.73.210.1    |



FISSAGGIO PEDANA  
FITTING REARSET



FISSAGGIO COVER ORIGINALE  
FITTING ORIGINALE COVER



APPLICAZIONI / APPLICATIONS

| CODICE / CODE | TUBO / PIPE      | SILENZIATORE / MUFFLER                          | FASCETTA / CLAMP        | CODICE OMOL. / HOMOL. CODE |
|---------------|------------------|---|-------------------------|----------------------------|
| S.044.LRX     | INOX / ST. STEEL | INOX (COPPE CARBONIO) / ST. STEEL (CARBON CAPS) | CARBONIO / CARBON FIBER | ME008 e9 1176              |
| S.044.LRB     | INOX / ST. STEEL | STEEL BLACK                                     | CARBONIO / CARBON FIBER | ME008 e9 1176              |