



**FITTING INSTRUCTIONS FOR LP0269BK LICENCE PLATE BRACKET  
DUCATI HYPERMOTARD 950 2019-**



**THIS KIT CONTAINS THE ITEMS PICTURED AND LABELLED BELOW.  
DO NOT PROCEED UNTIL YOU ARE SURE ALL PARTS ARE PRESENT.**

**Please note that the way the kit is packed does not necessarily represent the way of mounting to the bike.**

**THE PARTS SHOWN MAY BE REPRESENTATIVE ONLY (FOR CLARITY OF INSTRUCTIONS ONLY).**

**Please note that in cases where kits are packed with rubber washers holding the components onto the bolt – *the rubber washers should be thrown away!***

**Digital copies of these instructions are available to download from [www.rg-racing.com](http://www.rg-racing.com)**

**TOOLS REQUIRED**

- Set of metric Allen keys to include 4 & 6mm
  - Socket set to include 6mm & 8mm
    - T20 Torx tool
    - 12mm A/F Spanner
  - Small flat bladed screwdriver
  - Small amount of adhesive
    - Loctite or similar

**MAXIMUM TORQUE SETTINGS**

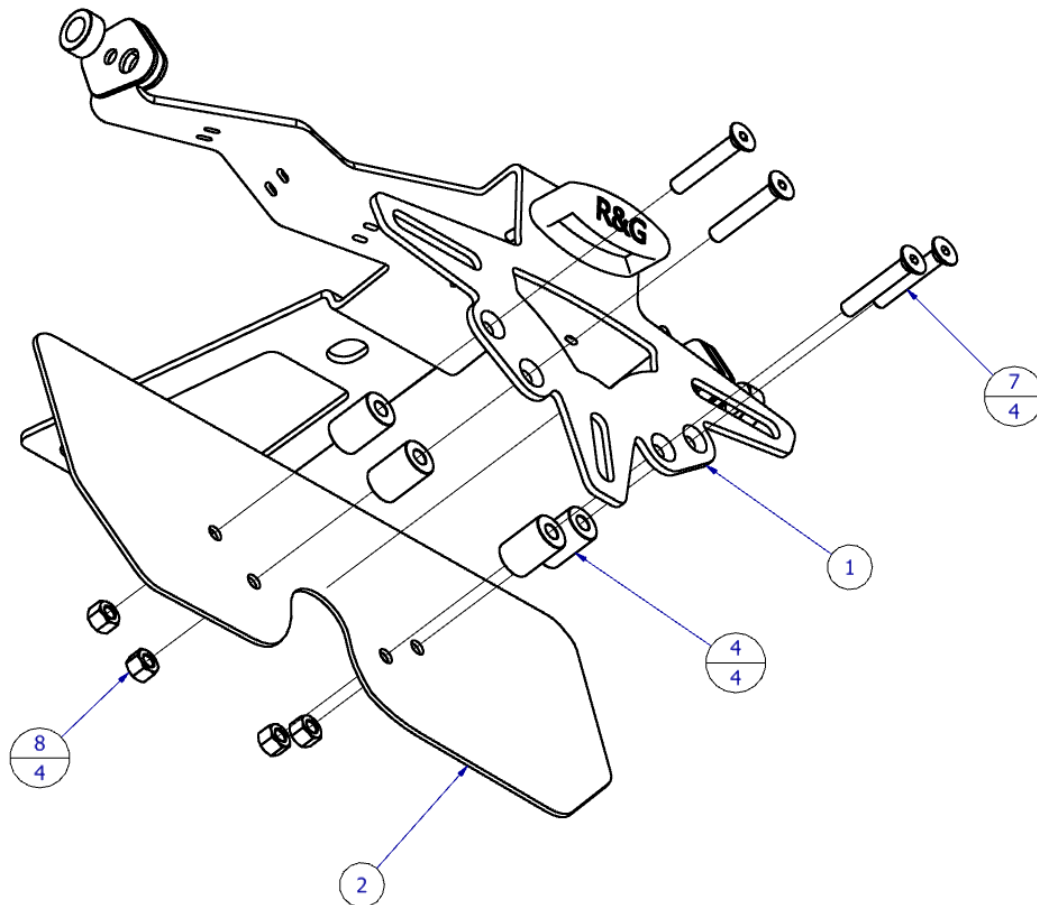
- M4 BOLT = 8Nm
- M5 BOLT = 12Nm
- M6 BOLT = 15Nm
- M8 BOLT = 20Nm
- M10 BOLT = 40Nm

R&G

Unit 1, Shelley's Lane, East Worldham, Alton, Hampshire, GU34 3AQ  
Tel: +44 (0)1420 89007 Fax: +44 (0)1420 87301 [www.rg-racing.com](http://www.rg-racing.com) Email: [info@rg-racing.com](mailto:info@rg-racing.com)

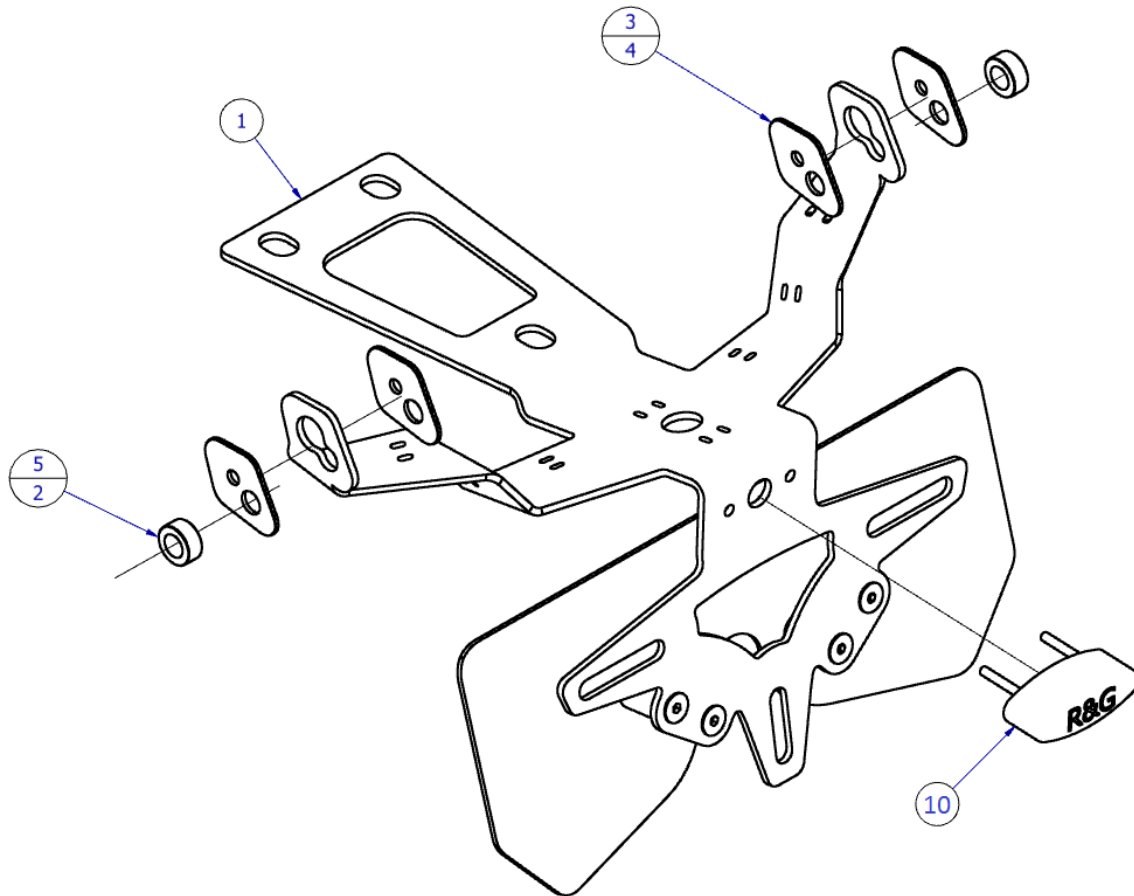
**LEGEND**

- Item 1 = TB0269 PART 1 - LICENCE PLATE BRACKET
- Item 2 = TB0269 PART 2 - HEAT SHIELD
- Item 3 = I0063 H.D.P.E DUCATI INDICATOR FASTENING PLATE (4)
- Item 4 = S1189 SS HEAT SHIELD SPACERS (4)
- Item 5 = S1190 MINI INDICATOR SPACER (2)
- Item 6 = S0253 6MM EXHAUST SPACERS (2)
- Item 7 = M5x30mm COUNTERSUNK BOLTS (4)
- Item 8 = M5 LOCKING NUTS (4)
- Item 9 = 2.5mm CABLE TIES x 100mm LONG (8)
- Item 10 = LA0002 No PLATE LIGHT ASSEMBLY (INCLUDES SHROUD)
- Item 11 = CON15 MINI INDICATOR ADAPTORS (2)
- Item 12 = CON14 TAIL-LIGHT CONNECTOR
- Item 13 = 200mm LENGTH OF HEAT-SHRINK (3)
- Item 14 = MINI INDICATOR WIRING COVERS (2)
- Item 15 = SELF-ADHESIVE CABLE CLIPS (4)
- Item 16 = REFLECTOR

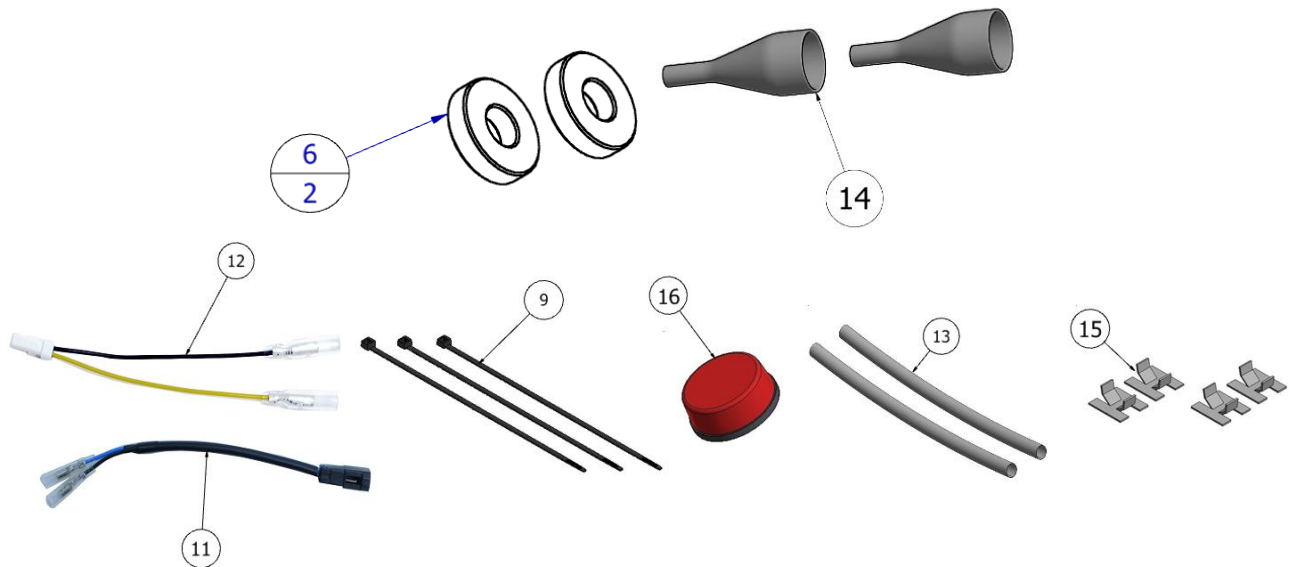
**ASSEMBLY DIAGRAM 1**

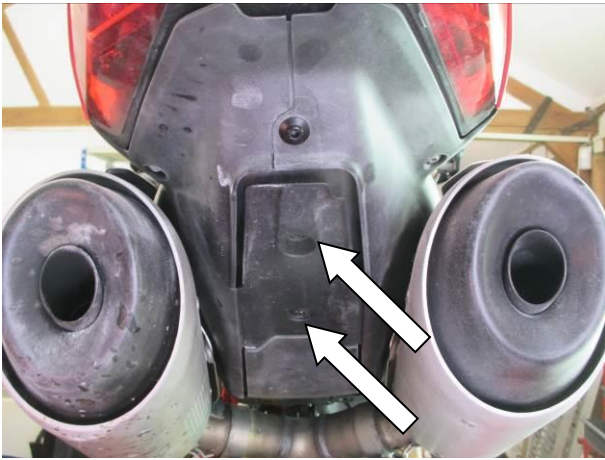
R&amp;G

Unit 1, Shelley's Lane, East Worldham, Alton, Hampshire, GU34 3AQ  
 Tel: +44 (0)1420 89007 Fax: +44 (0)1420 87301 [www.rg-racing.com](http://www.rg-racing.com) Email: [info@rg-racing.com](mailto:info@rg-racing.com)

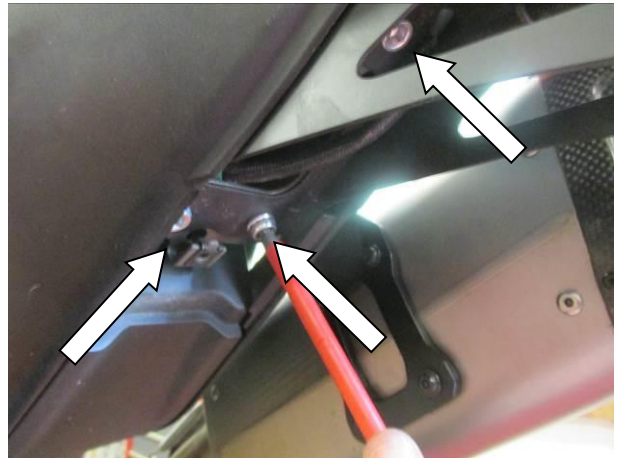


**ASSEMBLY DIAGRAM 2**





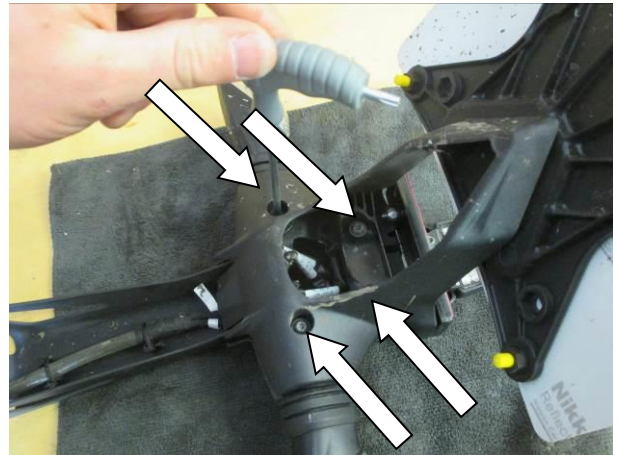
Picture 1



Picture 2



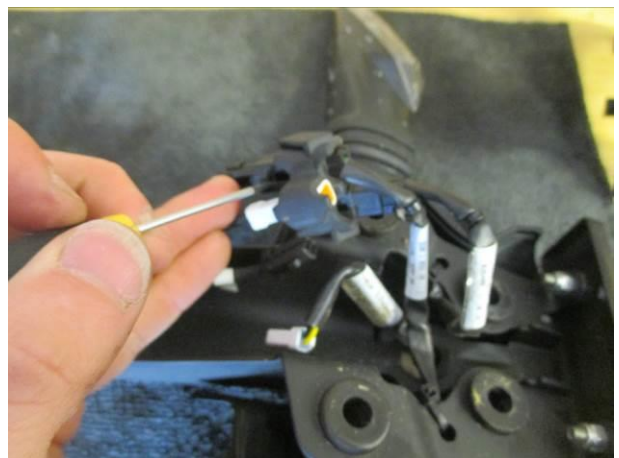
Picture 3



Picture 4



Picture 5



Picture 6



Picture 7



Picture 8



Picture 9



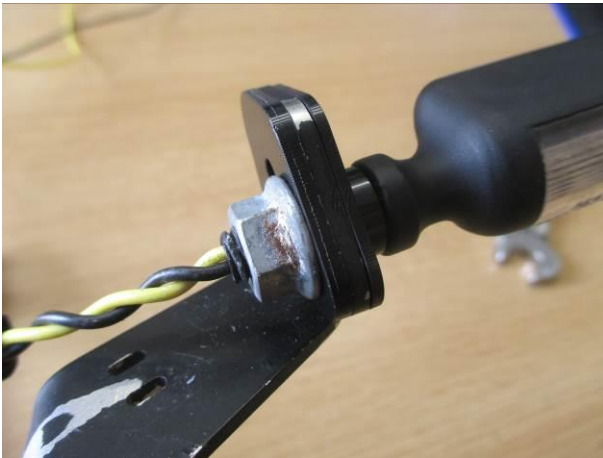
Picture 10



Picture 11



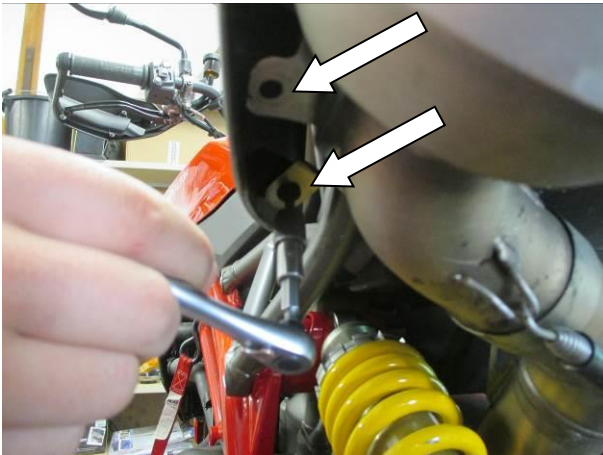
Picture 12



Picture 13



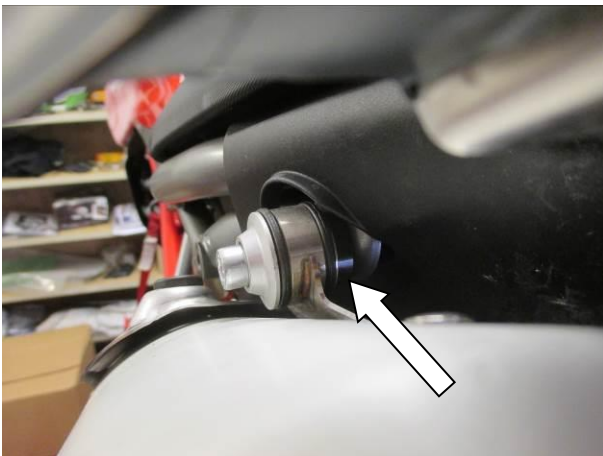
Picture 14



Picture 15



Picture 16



Picture 17



Picture 18



Picture 19



Picture 20

## **FITTING INSTRUCTIONS**

### **OEM Tail Unit Removal:**

- Begin by removing the panel under the tail unit by removing the two bolts arrowed in **picture 1** using a 4mm allen key.
- Carefully remove the 3 allen head bolts holding the OEM licence plate holder to the bike shown in **picture 2** using a 6mm allen key, ensuring to support the unit when removing these bolts to prevent the unit dropping.
- As you remove the licence plate holder from the tail unit, you will need to disconnect the wiring as shown in **picture 3** using a small flat bladed screwdriver, the licence plate holder should now be free from the bike.
- On the underside of the OEM licence plate holder, remove the 4 torx screws shown in **picture 4** and split the indicator housing by removing the lower plastic piece and sliding the upper piece off the rubber mounts in the metal tail piece shown in **Picture 5**, leaving the indicators loose.
- Remove the rubber indicator connector holder and disconnect the 3 connectors using a small flat bladed screwdriver as in **Picture 6** and remove both indicators completely.
- Disconnect the OEM licence plate light as before and cut the cable ties that secure the tail piece wiring loom to the metal bracket and remove from the bike as shown in **picture 7**. Put this to one side for use later.

### **R&G Tail Tidy Assembly:**

- To assemble the tail tidy, the heat shield (item 2) should be attached to the main tail bracket (item 1), referring to **Assembly diagram 1** on page 2.
- Place the 4 x 30mm countersunk bolts (item 7) into the corresponding holes on the main tail bracket (item 1) and slide one heat shield spacer (item 4) over each bolt.
- Locate the heat shield (item 2) over the exposed threads and sandwich the spacers using the 4 x locking nuts (item 8) to secure the heat shield. Ensure that the locking nuts are fully engaged with 1-2 threads protruding through the nuts.
- Next, take one length of provided heat shrink (item 13) and place this over the wires of the R&G number plate light (Item 10). Heat this with a heat gun or similar until the wires are neatly wrapped.

R&G

Unit 1, Shelley's Lane, East Worldham, Alton, Hampshire, GU34 3AQ  
 Tel: +44 (0)1420 89007 Fax: +44 (0)1420 87301 [www.rg-racing.com](http://www.rg-racing.com) Email: [info@rg-racing.com](mailto:info@rg-racing.com)



- The number plate light shroud provided with the assembly should be affixed to the light unit using a small amount of superglue to hold in place, this is to correctly direct the light downwards to prevent dazzling other road users.
- Affix this to the main tail tidy bracket as shown in **Assembly diagram 2** on page 3 using the M4 washers and nuts provided with the assembly. Tighten the nuts using a 6mm socket.
- Attach the CON14 tail light connector (item 12) to the bullet connectors of the licence plate illuminator.

#### **If using OEM Indicators:**

*If you are re-using the OEM Ducati indicators these will need to be removed from the OEM licence plate unit following the steps here, if using Mini indicators, skip this section.*

- Using a 4mm allen key, remove the rubber indicator stem of each indicator by removing the cap head bolt as in **picture 8** and remove the rubber stem from the indicator.
- Feed the wire of the indicator through the indicator mount on the tail tidy bracket. To secure this, cut a small slot into one mini indicator adapter (item 3) per side, and thread the wire through this as shown in **pictures 9 & 10**.
- Slide the indicator adaptor against the inner face of the tail bracket and locate on the protrusions of the indicator. Reuse the OEM cap head bolt to secure this using a 4mm allen key as shown in **picture 11**.
- Neatly route the wires using the provided cable ties (item 9) through the cable tie loops, leaving the plastic OEM connectors on the top surface of the tail tidy as shown in **picture 12**.

#### **If using R&G Mini Indicators:**

- To fit the mini indicators, first use one piece of heat shrink (item 13) over each pair of wires and heat this with a heat gun or similar until the wires are neatly wrapped.
- Fit one Mini indicator spacer (item 5) over wire and thread of each mini indicator.
- Thread one indicator fastening plate (item 3) over each pair of indicator wires with the wires passing through the larger hole.
- Thread each indicator assembly through each indicator mount on the tail tidy bracket (part 1).
- To neaten the wiring, slide one indicator wiring cover (item 14) over the bullet connectors for each indicator and slide up until the flanged nut is covered. *A small amount of lubricant or soap may help when pushing the wires through the indicator wiring cover.*
- Use the two remaining indicator fastening plates (item 3) to sandwich the indicator on the main tail bracket as shown in **Assembly diagram 2** on page 3 and **picture 13**. It is recommended to use a small amount of Loctite when fastening the flanged indicator nut to help keep the assembly tight.
- After fastening both indicators, use cable ties (item 9) to secure the exposed wires to the top surface of the tail bracket as shown in **picture 12**.
- Fit one Mini CON15 indicator adaptor (item 11) to each mini indicator via bullet connectors to the corresponding wire colours.

R&G





### **Exhaust Spacer fitting:**

***In order to help with heat dissipation from the exhaust, you are provided with 2 x 6mm exhaust spacers (item 6) these MUST be fitted to the bike to eliminate the risk of damage to the licence plate or tail bracket.***

- Remove the rear side panels from both sides of the bike by removing the two hex bolts arrowed in **picture 15**.
- Lift the panel away from the bike as in **picture 16** to reveal the exhaust bracket mounts.
- One side at a time, remove the allen head bolt securing the exhaust to the frame of the motorcycle and place the 6mm spacer between the exhaust and mount as arrowed in **picture 17**. You may need to swivel the exhaust cans to achieve this, ensuring the exhaust exit is directed further outwards from the centre than before.
- Replace the exhaust mounting bolt before repeating on the other side.
- At this stage, start the bike and check for any exhaust leaks and reposition as appropriate.
- Re-fit the tail unit side panels in their original position.

### **Fitting Tail Tidy to bike:**

- With both indicators and licence plate illuminator attached to the tail tidy, you should now connect the OEM tail unit loom removed earlier to the indicator and licence plate light connectors, ensuring that the indicators are connected to the corresponding side.
- Route the licence plate illuminator wires from the underside up through the hole in the centre of the tail tidy.
- Neatly arrange the wires depending on your indicator choice using the self-adhesive cable clips (item 15) keeping as much of the wiring as possible on the top surface of the tail tidy as this will make them less visible when fixed to the bike.
- Before fitting the Tail Tidy, connect the tail tidy wiring loom to the motorcycle wiring loom as shown in **picture 18** and test all lights function correctly. If illumination fails, swap the bullet connectors around.
- With all lights working, offer the complete tail tidy assembly up to the rear of the bike and use the 3 x OEM cap head bolts removed earlier and loosely fix this in place as shown in **Picture 19**.
- Position the tail tidy as near to the rear of the bike as possible using the slotted mounting holes and tighten the 3 cap head bolts to the correct torque.
- Carefully wrap any extra wire and place through the tail tidy opening and into the open recess in the underside of the motorcycle tail unit.
- Re-fit the cover panel on the underside of the tail unit using the two bolts removed earlier, ensuring the wires pass through the gap in the RHS of the panel as shown in **picture 20**.
- Mount the licence plate (it may require drilling) to the rear of the bracket in a central position, ensuring that it does not overhang the edges of the heat shield.
- **IMPORTANT: IF FITTING A FULL-SIZE LICENCE PLATE AND PLACING IT FAR DOWN ON THE LICENCE PLATE HANGER, THERE IS A SMALL CHANCE OF THE LICENCE PLATE HITTING THE BACK WHEEL UNDER HEAVY LOAD AND OVER LARGE BUMPS IN THE ROAD. IT IS YOUR RESPONSIBILITY TO CHECK FOR THIS POSSIBILITY AND TAKE AVOIDING ACTION. FAILURE TO CHECK THIS COULD RESULT IN SERIOUS INJURY.**
- Depending on local laws, attach enclosed reflector (item 16) in an appropriate location.
- Retest the licence plate illuminator and all lights before riding.

ISSUE 1 17/07/19 (DM)

R&G

Unit 1, Shelley's Lane, East Worldham, Alton, Hampshire, GU34 3AQ  
Tel: +44 (0)1420 89007 Fax: +44 (0)1420 87301 [www.rg-racing.com](http://www.rg-racing.com) Email: [info@rg-racing.com](mailto:info@rg-racing.com)



#### **CONSUMER NOTICE**

The catalogue description and any exhibition of samples are only broad indications of the Products and R&G may make design changes which do not diminish their performance or visual appeal and supplying them in such state shall conform to the order. The Buyer acknowledges no representation or warranty (other than as to title) has been given or will apply to the Products other than those in R&G's order or confirmation and the Buyer confirms it has chosen the Products as being of merchantable quality and suitable for its particular purposes. Where R&G fits the Products or undertakes other services it shall exercise reasonable skill and care and rectify any fault free of charge unless the workmanship has been disturbed. The Buyer is responsible for ensuring that the warranty on the motorcycle is not affected by the fitting of the Products. On return of any defective Products R&G shall at its option either supply a replacement or refund the purchase money but shall not be liable if the Products have been modified or used or maintained otherwise than in accordance with R&G's or manufacturer's instructions and good engineering practice or if the defect arises from accident or neglect. Other than identified above and subject to R&G not limiting its liability for causing death and personal injury, it shall not be liable for indirect or consequential loss and otherwise its liability shall be limited to the amounts paid by the Buyer for the Products or the fitting or service concerned. These terms do not affect the Buyer's statutory rights.

#### **R&G RETURNS POLICY (NON-FAULTY GOODS)**

Returns must be pre-authorized (if not pre-authorized the return will be rejected). Goods may only be returned direct to us if they were purchased direct from us (customer must prove if necessary). Otherwise to be returned to original vendor. Goods must be in re-sellable condition, in the opinion of R&G. All returns are subject to a 25% restocking and handling fee (25% of the gross value exc. P&P – at the prevailing price at time of purchase). The customer must pay any and all carriage charges. No returns of discontinued products, unless within 14 days of purchase. This policy does not affect your statutory rights and does not refer to faulty goods.

R&G

Unit 1, Shelley's Lane, East Worldham, Alton, Hampshire, GU34 3AQ  
Tel: +44 (0)1420 89007 Fax: +44 (0)1420 87301 [www.rg-racing.com](http://www.rg-racing.com) Email: [info@rg-racing.com](mailto:info@rg-racing.com)



## **NOTICE DE MONTAGE POUR LP0269BK SUPPORT DE PLAQUE DUCATI HYPERMOTARD 950 2019-**

**Le kit contient les articles exposés ci-dessous, vérifier que toutes les pièces soient présentes avant de procéder au montage.**

**La façon dont le kit est emballé ne correspond pas forcément à la façon de monter les pièces sur la moto.**

**LES PARTIES PRESENTÉES PEUVENT ÊTRE UNIQUEMENT REPRESENTATIVES (POUR LA CLARTÉ DES INSTRUCTIONS UNIQUEMENT**

**Notez que si les kits sont emballés avec des rondelles en caoutchouc servant à tenir les composants, ces rondelles doivent être jetées !**

**Notice disponible au téléchargement sur [www.rg-racing.com](http://www.rg-racing.com)**

### **OUTILS REQUIS**

- Clés Allen 4 & 6mm
- Clé à cliquet + douilles 6mm & 8mm
  - Outil Torx T20
- Clé à molette 12mm
- Petit tournevis plat
- Un peu d'adhésif
- Colle Loctite

### **VALEURS DE SERRAGE**

- M4 BOULON = 8 Nm
- M5 BOULON = 12Nm
- M6 BOULON = 15Nm
- M8 BOULON = 20 Nm
- M10 BOULON = 40Nm

### **LÉGENDE**

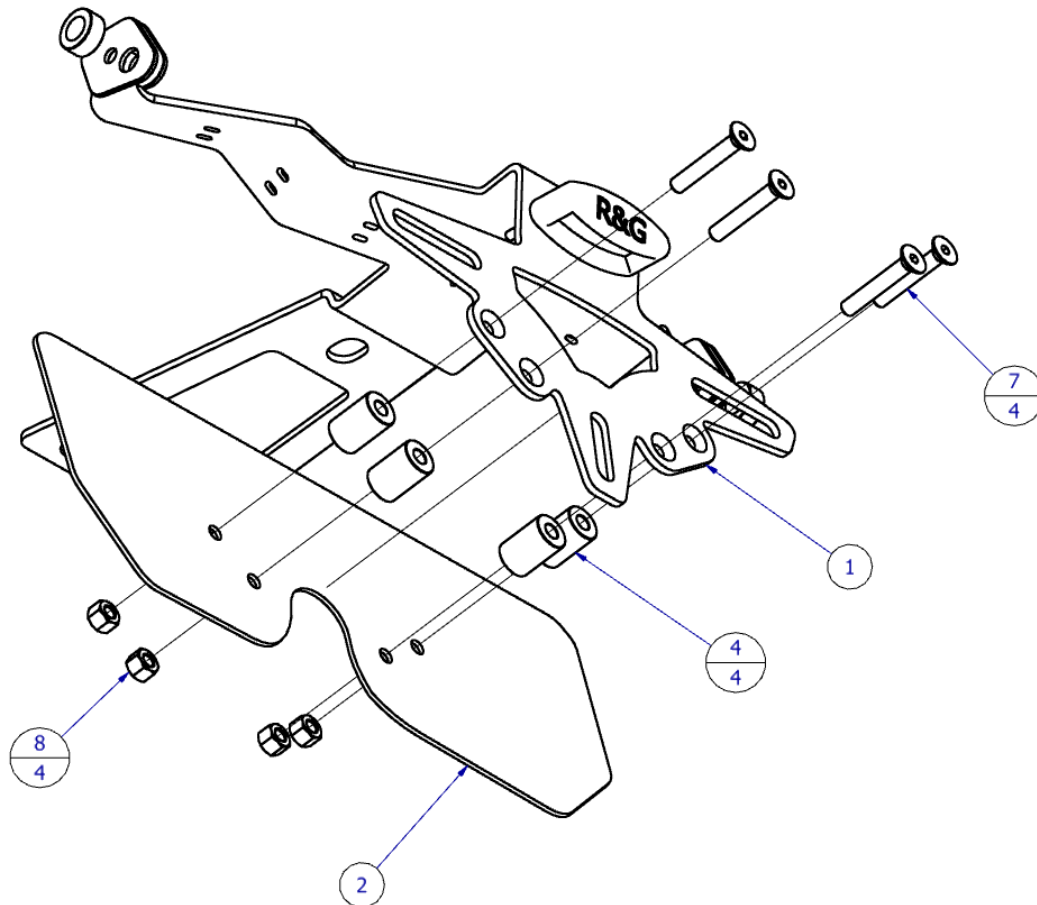
- Article 1 = TB0269 PARTIE 1 – SUPPORT DE PLAQUE
- Article 2 = TB0269 PARTIE 2 – PROTECTION CHALEUR
- Article 3 = I0063 H.D.P.E PLAQUE DE FIXATION DE CLIGNOTANT DUCATI (4)
- Article 4 = S1189 SS ENTRETOISES DE PROTECTION CHALEUR (4)
- Article 5 = S1190 ENTRETOISES DE MINI CLIGNOTANT (2)
- Article 6 = S0253 6MM ENTRETOISES D'ÉCHAPPEMENT (2)
- Article 7 = M5x30mm BOULONS (4)
- Article 8 = M5 ÉCROUS DE BLOCAGE (4)
- Article 9 = 2.5mm COLLIERS DE SERRAGE x 100mm DE LONG (8)
- Article 10 = LA0002 No ASSEMBLAGE FEU DE PLAQUE (INCLU LINCEUL)
- Article 11 = CON15 ADAPTATEURS DE MINI CLIGNOTANTS (2)
- Article 12 = CON14 CONNECTEUR FEU DE PLAQUE
- Article 13 = 200mm LONGUEUR DE MANCHON THERMO RÉTRACTABLE (3)
- Article 14 = CACHES FILS DE MINI CLIGNOTANTS (2)
- Article 15 = CLIPS CÂBLE AUTOCOLLANTS (4)

R&G

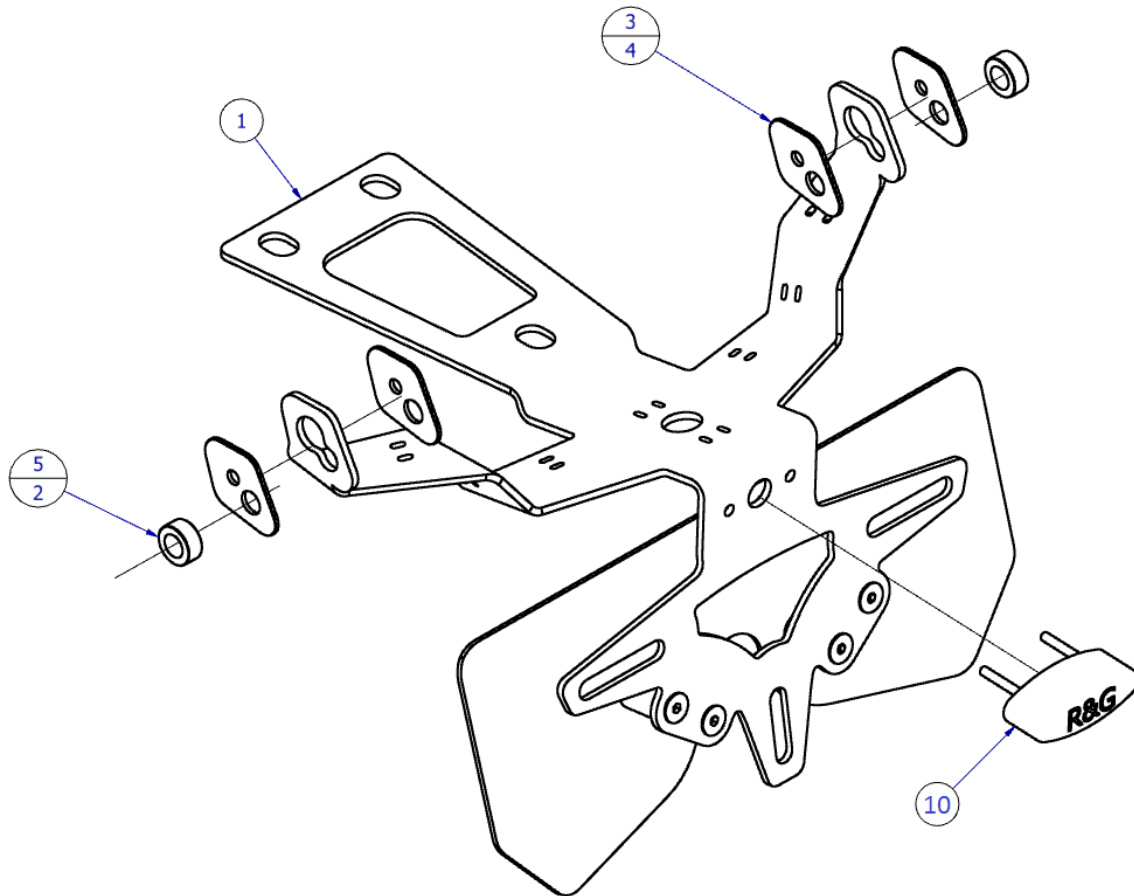
Unit 1, Shelley's Lane, East Worldham, Alton, Hampshire, GU34 3AQ  
Tel: +44 (0)1420 89007 Fax: +44 (0)1420 87301 [www.rg-racing.com](http://www.rg-racing.com) Email: [info@rg-racing.com](mailto:info@rg-racing.com)



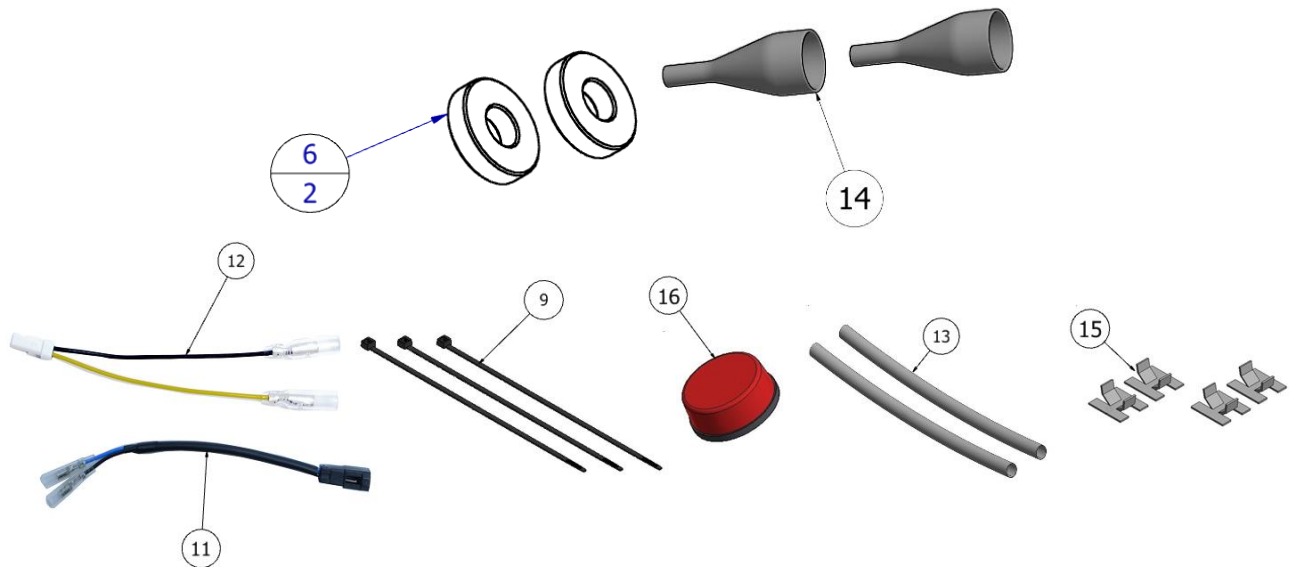
Article 16 = RÉFLECTEUR



**SCHÉMA DE MONTAGE 1**



**SCHÉMA DE MONTAGE 2**





## **NOTICE DE MONTAGE**

### **Démontage de support de plaque d'origine :**

- Commencez par retirer le panneau situé sous l'unité en retirant les deux boulons fléchés sur la photo 1 à l'aide d'une clé Allen de 4 mm.
- Retirez délicatement les 3 boulons à tête hexagonale fixant le support de plaque d'immatriculation d'origine sur la moto, voir la photo 2, à l'aide d'une clé Allen de 6 mm, en veillant à soutenir l'unité lors du retrait de ces boulons afin d'éviter toute chute.
- Lorsque vous retirez le support de plaque d'immatriculation de l'unité arrière, vous devez déconnecter le câblage comme indiqué sur la photo 3 à l'aide d'un petit tournevis plat. Le support de plaque d'immatriculation doit maintenant être séparé de la moto.
- Sur la face inférieure du support de plaque d'immatriculation d'origine, retirez les 4 vis Torx illustrées à la photo 4 et fendez le boîtier de clignotant en retirant la pièce en plastique inférieure et en faisant glisser la pièce supérieure des fixations en caoutchouc dans la pièce en métal du support, voir photo 5, laissant les clignotants lâches.
- Retirez le support de connecteur de clignotant en caoutchouc et débranchez les 3 connecteurs à l'aide d'un petit tournevis plat comme sur la photo 6 puis retirez complètement les deux clignotants.
- Déconnectez l'éclairage de la plaque d'immatriculation d'origine, comme précédemment, et coupez les attaches de câble qui fixent le faisceau de câbles arrière au support métallique puis retirez-le de la moto comme indiqué sur la photo 7. Placez-le de côté pour une utilisation ultérieure.

### **Assemblage support de plaque R&G :**

- Pour monter le support, la protection thermique (article 2) doit être fixée au support principal (article 1), en vous reportant au schéma de montage 1 de la page 2.
- Placez les 4 boulons de 30 mm (article 7) dans les trous correspondants du support principal (article 1) et faites glisser une entretoise de protection thermique (article 4) sur chaque boulon.
- Placer la protection thermique (article 2) sur les filets exposés et prenez les entretoises en sandwich en utilisant les 4 écrous de blocage (article 8) pour fixer la protection thermique. Assurez-vous que les écrous de blocage soient complètement engagés avec 1-2 filets dépassant à travers les écrous.
- Ensuite, prenez une longueur de thermorétractable fournie (article 13) et placez-la sur les fils de feu de plaque d'immatriculation R&G (article 10). Chauffez-la avec un pistolet thermique jusqu'à ce que les fils soient soigneusement enveloppés.
- Le linceul de feu de plaque d'immatriculation fourni avec l'ensemble doit être fixé à l'unité d'éclairage en utilisant une petite quantité de colle pour le maintenir en place, ceci afin de diriger correctement la lumière vers le bas et ainsi éviter d'éblouir les autres usagers de la route.
- Fixez-le sur le support de plaque principal, comme indiqué sur le schéma de montage 2 à la page 3 à l'aide des rondelles M4 et des écrous fournis avec l'ensemble. Serrer les écrous en utilisant une douille de 6mm.
- Fixez le connecteur de feu arrière CON14 (article 12) aux connecteurs de feu de plaque d'immatriculation.

### **Si vous utilisez les clignotants d'origine:**

R&G

Unit 1, Shelley's Lane, East Worldham, Alton, Hampshire, GU34 3AQ  
Tel: +44 (0)1420 89007 Fax: +44 (0)1420 87301 [www.rg-racing.com](http://www.rg-racing.com) Email: [info@rg-racing.com](mailto:info@rg-racing.com)



*Si vous réutilisez les clignotants d'origine Honda, vous devrez les retirer de l'unité de plaque d'immatriculation d'origine en suivant les étapes décrites ci-dessous. Si vous utilisez des mini clignotants, ignorez cette section.*

- À l'aide d'une clé Allen de 4 mm, retirez la tige de clignotant en caoutchouc de chaque clignotant en retirant le boulon comme sur la photo 8 puis retirez la tige en caoutchouc de clignotant.
- Passez le fil de clignotant à travers le support de clignotant sur le support de plaque. Pour le sécuriser, coupez une petite fente dans un adaptateur de mini clignotant (article 3) de chaque côté puis passez le fil dans celui-ci, comme indiqué sur les photos 9 et 10.
- Faites glisser l'adaptateur clignotant contre la face interne du support puis positionnez-le sur les saillies de clignotant. Réutilisez le boulon d'origine et fixez le à l'aide d'une clé Allen de 4 mm, comme indiqué sur la photo 11.
- Passez soigneusement les câbles à l'aide des colliers fournis (article 9) dans les boucles pour colliers de serrage, en laissant les connecteurs d'origine en plastique sur la surface supérieure du support de plaque, comme indiqué sur la photo 12.

#### **Si vous utilisez des mini clignotants R&G:**

- *Pour installer les mini-clignotants, utilisez d'abord un morceau de gaine thermorétractable (article 13) sur chaque paire de fils et chauffez-le avec un pistolet thermique jusqu'à ce que les fils soient soigneusement enveloppés.*
  - *Placez une entretoise de mini clignotant (article 5) sur le fil et le filetage de chaque clignotant.*
  - *Enfilez une plaque de fixation de clignotant (article 3) sur chaque paire de fils de clignotant, les fils passant par le plus grand trou.*
  - *Enfilez chaque ensemble de clignotant sur chaque support clignotant du support de plaque (partie 1).*
  - *Pour nettoyer le câblage, faites glisser un couvercle de câblage de clignotant (article 14) sur les connecteurs de chaque clignotant et faites-le glisser jusqu'à ce que l'écrou à collerette soit recouvert. Une petite quantité de lubrifiant ou de savon peut aider lorsque vous poussez les fils à travers le couvercle de câblage de clignotant.*
- Utilisez les deux plaques de fixation de clignotant restantes (article 3) pour prendre le clignotant en sandwich sur le support principal, comme indiqué sur le schéma de montage 2 à la page 3 et sur la photo 13. Il est recommandé d'utiliser une petite quantité de Loctite lors de la fixation de l'écrou de clignotant à bride, pour aider à maintenir l'assemblage serré.
  - Après avoir fixé les deux clignotants, utilisez des colliers de serrage (article 9) pour fixer les fils nus à la surface supérieure du support comme indiqué sur la photo 12.
  - Fixez un adaptateur de mini clignotant CON15 (article 11) sur chaque clignotant en utilisant les connecteurs et en faisant correspondre les couleurs.

#### **Entretoise d'échappement:**

Pour faciliter la dissipation de la chaleur de l'échappement, des entretoises d'échappement de 2 x 6 mm (article 6) sont fournies (celles-ci DOIVENT être montées sur la motopour éviter tout risque d'endommagement de la plaque d'immatriculation ou du support de plaque.

R&G

Unit 1, Shelley's Lane, East Worldham, Alton, Hampshire, GU34 3AQ

Tel: +44 (0)1420 89007 Fax: +44 (0)1420 87301 [www.rg-racing.com](http://www.rg-racing.com) Email: [info@rg-racing.com](mailto:info@rg-racing.com)



- Retirez les panneaux latéraux arrière des deux côtés de la moto en retirant les deux boulons hexagonaux marqués d'une flèche sur la photo 15.
- Lì soulevez le panneau pour l'éloigner de la moto, comme indiqué sur la photo 16, pour faire apparaître les supports d'échappement.
- Un côté à la fois, retirez le boulon à tête hexagonale qui fixe l'échappement au cadre de la moto et placez l'entretoise de 6 mm entre l'échappement et le support comme indiqué sur la photo 17. Il se peut que vous deviez faire pivoter les cartouches d'échappement pour y parvenir. la sortie d'échappement est plus éloignée du centre que précédemment.
- Remplacez le boulon de fixation d'échappement avant de répéter l'opération de l'autre côté.
- À ce stade, démarrez la moto puis vérifiez qu'il n'y a pas de fuite d'échappement et repositionnez-le selon les besoins.
- Remettez les panneaux latéraux de l'unité dans leur position d'origine.

### Montage du support de plaque :

- Une fois les clingotans et le feu de plaque d'immatriculation attachés au support, vous devez connecter le faisceau de câbles de l'unité d'origine, précédemment retiré, aux connecteurs de clignotant et du feu de plaque d'immatriculation, en veillant à ce que les clignotants soient connectés au côté correspondant.
- Faites passer les fils de feu de plaque d'immatriculation de bas en haut par le trou au centre du support de plaque.
- Disposez les câbles avec soin en fonction du choix de clignotant en utilisant les clips câble autocollants (article 15) en maintenant le plus de fils possible sur la surface supérieure du support, ce qui les rendra moins visibles une fois fixés sur la moto.
- Avant de monter le support de plaque, connectez le faisceau de câbles au faisceau de câblage de la moto, comme indiqué sur la photo 18, et vérifiez le bon fonctionnement de tous les feux. Si l'éclairage échoue, intervertissez les connecteurs.
- Une fois que l'ensemble des feux fonctionne, montez l'ensemble complet à l'arrière de la moto, puis utilisez les 3 boulons d'origine retirés plus tôt et fixez-le sans serrer, comme indiqué sur la photo 19.
- Positionnez le support le plus près possible de l'arrière de la moto, à l'aide des trous de fixation fendus, et serrez les 3 boulons au couple approprié.
- Enroulez soigneusement tout fil supplémentaire et placez-le à travers l'ouverture du support et dans le renforcement ouvert sous la face inférieure de l'unité de support de plaque.
- Remontez le panneau de protection au bas de l'unité de support en utilisant les deux boulons retirés plus tôt, en veillant à ce que les fils passent dans l'espace du côté droit du panneau, comme indiqué sur la photo 20.
- Montez la plaque d'immatriculation (il faudra éventuellement percer) à l'arrière du support, en position centrale, en veillant à ce qu'elle ne dépasse pas des bords de la protection thermique.
- **IMPORTANT: SI VOUS MONTEZ UNE PLAQUE DE GRANDE TAILLE ET QUE VOUS LA PLACEZ AU PLUS BAS DU SUPPORT DE PLAQUE, IL EST POSSIBLE QUE LA PLAQUE TOUCHE LA ROUE ARRIÈRE LORSQU'IL Y A UN POID IMPORTANT SUR LA ROUE ARRIÈRE OU LORSQUE VOUS ROULEZ SUR UNE GROSSE BOSSE. IL EST DE VOTRE RESPONSABILITÉ DE VÉRIFIER QUE CELA NE PUISSE SE PRODUIRE. NE PAS EFFECTUER CETTE VÉRIFICATION PEUT CONDUIRE À DES DOMMAGES POUR LA MOTO AINSI QUE POUR SON PILOTE OU SON PASSAGER.**

R&G

Unit 1, Shelley's Lane, East Worldham, Alton, Hampshire, GU34 3AQ  
 Tel: +44 (0)1420 89007 Fax: +44 (0)1420 87301 [www.rg-racing.com](http://www.rg-racing.com) Email: [info@rg-racing.com](mailto:info@rg-racing.com)





- En fonction de la législation locale, installez le réflecteur fourni (article 16) à un emplacement approprié.
- Retestez toutes les fonctionnalités de l'éclairage avant de prendre la route.

ISSUE 1 17/07/19 (DM)

#### **CONSUMER NOTICE**

The catalogue description and any exhibition of samples are only broad indications of the Products and R&G may make design changes which do not diminish their performance or visual appeal and supplying them in such state shall conform to the order. The Buyer acknowledges no representation or warranty (other than as to title) has been given or will apply to the Products other than those in R&G's order or confirmation and the Buyer confirms it has chosen the Products as being of merchantable quality and suitable for its particular purposes. Where R&G fits the Products or undertakes other services it shall exercise reasonable skill and care and rectify any fault free of charge unless the workmanship has been disturbed. The Buyer is responsible for ensuring that the warranty on the motorcycle is not affected by the fitting of the Products. On return of any defective Products R&G shall at its option either supply a replacement or refund the purchase money but shall not be liable if the Products have been modified or used or maintained otherwise than in accordance with R&G's or manufacturer's instructions and good engineering practice or if the defect arises from accident or neglect. Other than identified above and subject to R&G not limiting its liability for causing death and personal injury, it shall not be liable for indirect or consequential loss and otherwise its liability shall be limited to the amounts paid by the Buyer for the Products or the fitting or service concerned. These terms do not affect the Buyer's statutory rights.

#### **R&G RETURNS POLICY (NON-FAULTY GOODS)**

Returns must be pre-authorized (if not pre-authorized the return will be rejected). Goods may only be returned direct to us if they were purchased direct from us (customer must prove if necessary). Otherwise to be returned to original vendor. Goods must be in re-sellable condition, in the opinion of R&G. All returns are subject to a 25% restocking and handling fee (25% of the gross value exc. P&P – at the prevailing price at time of purchase). The customer must pay any and all carriage charges. No returns of discontinued products, unless within 14 days of purchase. This policy does not affect your statutory rights and does not refer to faulty goods.

R&G

Unit 1, Shelley's Lane, East Worldham, Alton, Hampshire, GU34 3AQ  
Tel: +44 (0)1420 89007 Fax: +44 (0)1420 87301 [www.rg-racing.com](http://www.rg-racing.com) Email: [info@rg-racing.com](mailto:info@rg-racing.com)