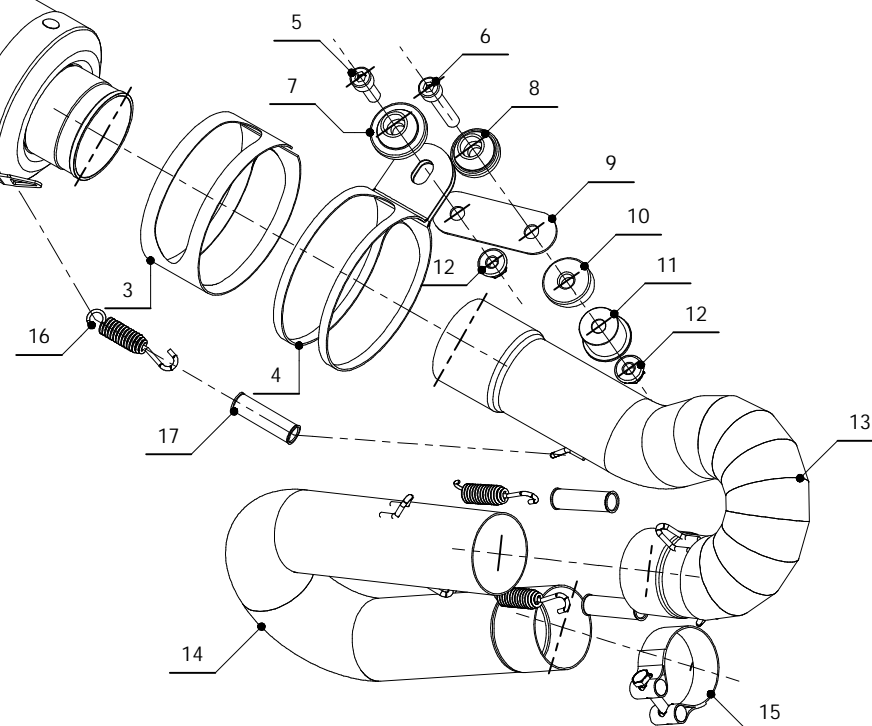

ELENCO PARTI / PARTS LIST

#	QTÀ / QTY	DESCRIZIONE / DESCRIPTION	CODICE / CODE
1	1	DB killer / DB killer	50.DK.020.0
2	1	Silenziatore / Muffler	GP
3	1	Protezione in gomma per staffa / Rubber protection for bracket	50.73.040.1
4	1	Staffa / Bracket	50.SS.001.0
5	1	Vite M8x25 / Screw M8x25	50.73.064.1
6	1	Vite M8x50 / Screw M8x50	50.73.074.1
7	1	Rondella in alluminio / Aluminium washer	50.73.063.1
8	1	Rondella alluminio / Aluminium washer	50.73.291.1
9	1	Staffa / Bracket	50.SS.003.0
10	1	Distanziale in alluminio / Aluminium spacer	50.SS.143.1
11	1	Bussola in alluminio / Aluminium bush	50.73.290.1
12	2	Dado 8 MA flangiato / Flanged nut 8 MA	50.73.052.1
13	1	Tubo di raccordo / Link pipe	9773H039S2B
14	1	Tubo di raccordo / Link pipe	9773H039S2A
15	1	Fascetta Ø 47/51 mm / Pipe clamp Ø 47/51 mm	50.FA.007.1
16	3	Molla corta / Short Spring	50.73.123.1
17	3	Tubo in gomma per molla / Rubber pipe for spring	50.73.210.1


APPLICAZIONI / APPLICATIONS

CODICE / CODE	TUBO / PIPE	MUFFLER / SILENZIATORE	FASCETTA / CLAMP	OMOLOGAZIONE / HOMOLOGATION
H.039.L2S	INOX / STAINLESS STEEL	CARBONIO / CARBON FIBER	INOX / STAINLESS STEEL	OMOLOGATO / HOMOLOGATED
H.039.L6S	INOX / STAINLESS STEEL	TITANIO / TITANIUM	INOX / STAINLESS STEEL	OMOLOGATO / HOMOLOGATED