



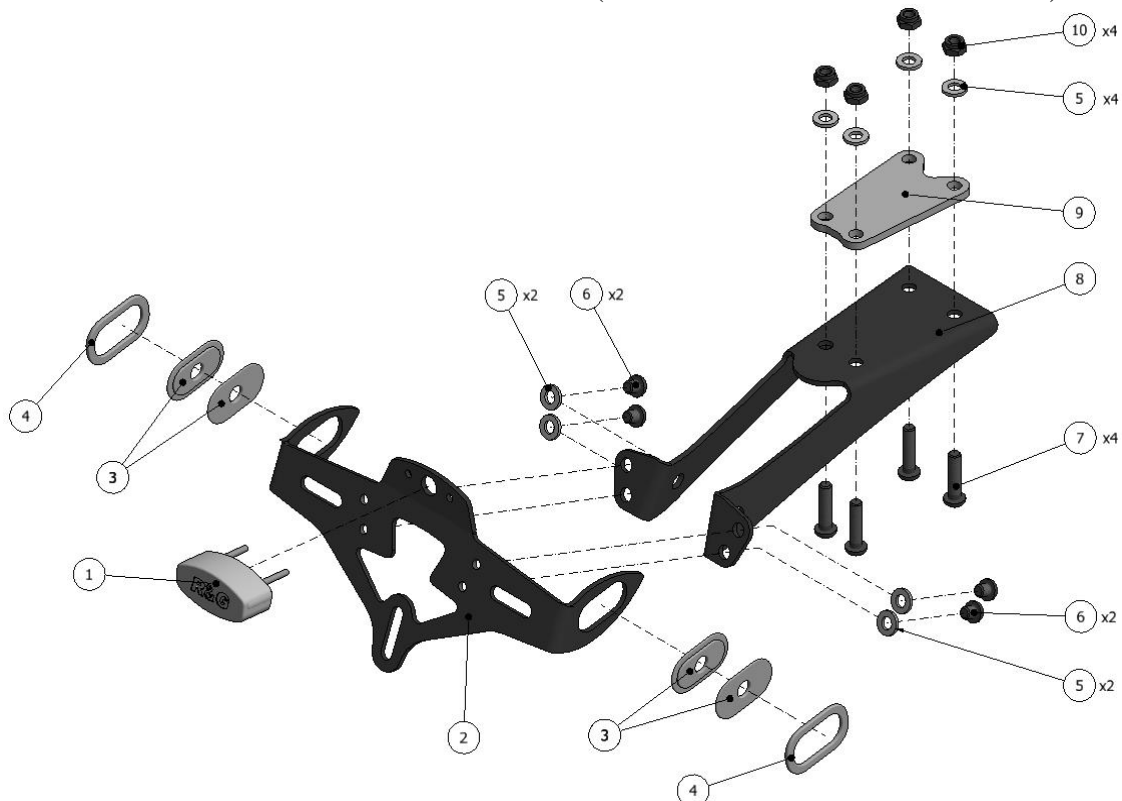
FITTING INSTRUCTIONS FOR LP0198BK LICENCE PLATE BRACKET
HONDA CBR500R '16-

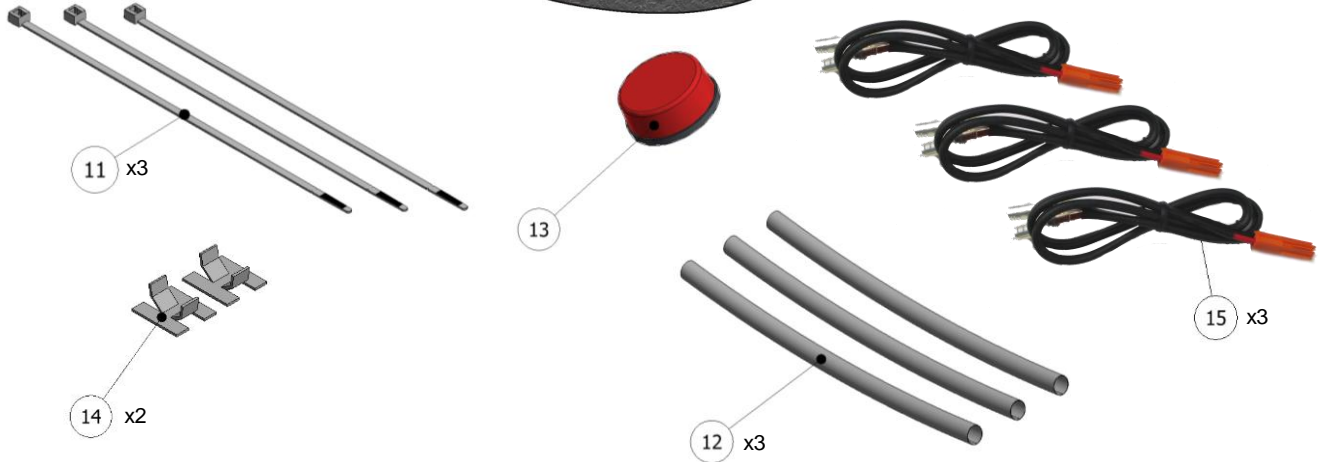


THIS KIT CONTAINS THE ITEMS PICTURED AND LABELLED BELOW.
DO NOT PROCEED UNTIL YOU ARE SURE ALL PARTS ARE PRESENT.

Please note that the way the kit is packed does not necessarily represent the way of mounting to the bike.

THE PARTS SHOWN MAY BE REPRESENTATIVE ONLY (FOR CLARITY OF INSTRUCTIONS ONLY).





LEGEND

- ITEM 1 = LA0002 No. PLATE LIGHT inc SHROUD (x1).
ITEM 2 = LICENCE PLATE BRACKET (TB0198 Part 2) (x1).
ITEM 3 = INDICATOR ADAPTORS (I0031) (x4).
ITEM 4 = INDICATOR SPACERS (I0032) (x2).
ITEM 5 = M6 WASHER (x8).
ITEM 6 = M6 x 6mm LONG BUTTON HEAD BOLTS (x4).
ITEM 7 = M6 x 25mm LONG BUTTON HEAD BOLTS (x4).
ITEM 8 = MOUNTING BRACKET (TB0198 Part 1) (x1).
ITEM 9 = SPACER PLATE (TB0198 Part 3) (x1).
ITEM 10 = M6 NYLOC NUTS (x4).
ITEM 11 = 2.5mm CABLE TIES (x3).
ITEM 12 = 150mm LENGTH OF HEATSHRINK (x3).
ITEM 13 = REFLECTOR (x1).
ITEM 14 = SELF-ADHESIVE CABLE CLIPS (x2).
ITEM 15 = No. PLATE ILLUMINATOR / INDICATOR CONNECTORS (CON0009) (x3).

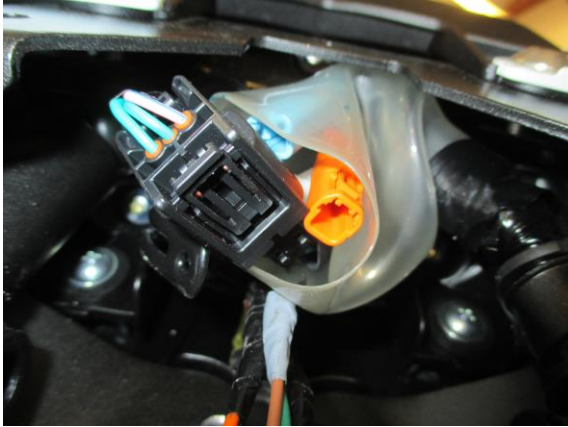
Please note that in cases where kits are packed with rubber washers holding the components onto the bolt – *the rubber washers should be thrown away!*

TOOLS REQUIRED

- Set of metric Allen keys to include 4 & 5mm A/F size.
 - 6, 8, 10 & 13mm spanners or sockets.
 - Phillips screwdriver.
 - Cable cutters.

MAXIMUM TORQUE SETTINGS

- M4 Bolt = 8 Nm
- M5 Bolt = 12 Nm
- M6 Bolt = 15 Nm
- M8 Bolt = 20 Nm



Picture 1



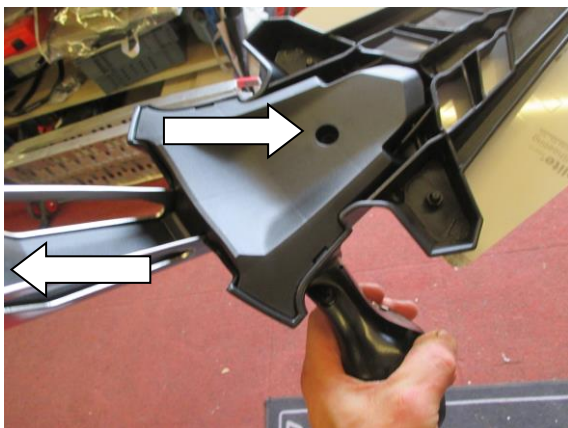
Picture 2



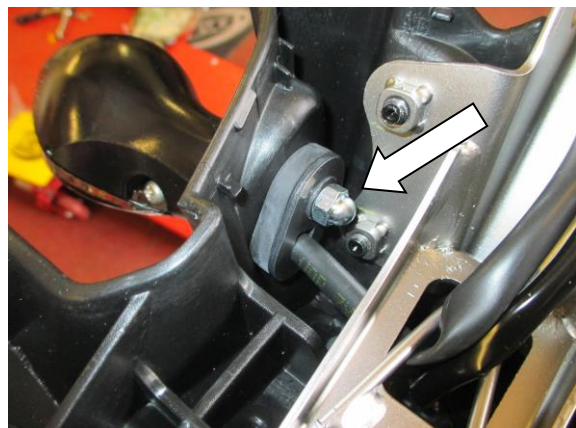
Picture 3



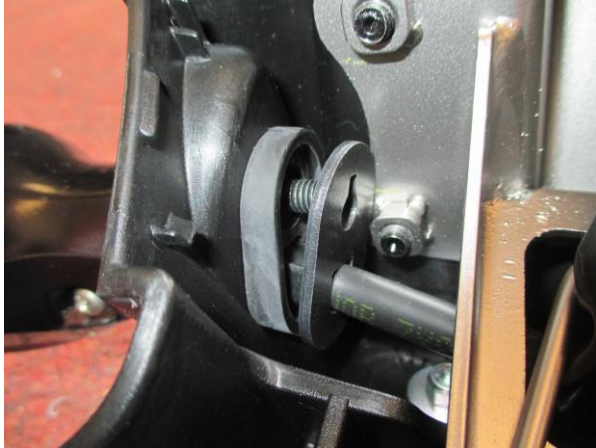
Picture 4



Picture 5



Picture 6



Picture 7



Picture 8



Picture 9



Picture 10



Picture 11



Picture 12



Picture 13



Picture 14



Picture 15



Picture 16



Picture 17



Picture 18



Picture 19



Picture 20



Picture 21



Picture 22

FITTING INSTRUCTIONS

- To fit the R&G tail tidy, remove the pillion seat using the key.
- Underneath the pillion seat, disconnect the orange, blue and white connectors for the licence plate illuminator light and two indicators, as shown in picture 1.
- Remove the four bolts that mount the OEM licence plate hanger in place and support the licence plate whilst feeding the wires out and removing from the bike, as shown in pictures 2, 3 & 4.

If fitting OEM Indicators

- Remove the plastic undertray from the OEM licence plate hanger by removing the two bolts that are positioned as arrowed in picture 5.
- Remove the domed nut on either indicator, as arrowed in picture 6, and remove the metal plate on the inside before feeding the indicator and wiring out through the hole, as shown in picture 7.
- Repeat the above procedure for the remaining indicator.



- With the indicator removed, the rubber mount now needs to be pulled from the licence plate hanger, as shown in picture 8.
- The indicator and mounting parts removed are shown in picture 9, along with the domed nut.

- Take the R&G mounting bracket (item 8 – TB0198 Part 1) and fit it to the R&G licence plate bracket (item 2 – TB0198 Part 2) using the four M6 x 6mm button head bolts (item 6) and four M6 washers (item 5), as shown in pictures 10 & 11, by fitting the bolts from behind as shown.
- Take the R&G licence plate illuminator (item 1 – LA0002) and fit the shroud, before fitting it to the licence plate bracket, as shown in picture 12, before fitting the washer and nuts on the rear and tightening. Fit one length of heatshrink to the wires for protection.
- Take the spacer plate (item 9 – TB0198 Part 3) and offer it into place on the top mounting face of the tail tidy assembly, before locating the four M6 x 25mm long button head bolts (item 7) through the mounting bracket and then through the four holes on the spacer plate, as shown in picture 13.
- Offer this assembly up to the underside of the tail and locate the four bolts through the four mounting holes in the bodywork/subframe, before fitting one M6 washer (item 5) and one M6 nyloc nut (item 10) to the exposed thread on each bolt, as shown in picture 15. Tighten all four bolts evenly to ensure the tail tidy is secured in place.

If fitting R&G Mini Indicators

- To fit the R&G Mini Indicators, fit one length of heatshrink to the wires of each indicator.
- Position two indicator adaptors (item 3 – I0031) onto the wiring of each indicator, ensuring the sides facing each other have the raised centre profile, before fitting the flanged nut supplied, as shown in picture 16.
- Fit either indicator through the large slot on the either side of the tail tidy, locating the indicator adaptors either side of the metal bracket, before fitting the nut onto the exposed thread and tightening, as shown in picture 17.

If fitting OEM Indicators

- Fit one indicator spacer (item 4 – I0032) to both rubber indicator mounts, as shown in picture 18, before fitting into the large slot on either side of the tail tidy, ensuring the shallower side of the rubber mount is on the inside.
- Take the OEM indicator, and feed the wiring through the hole in the rubber mount, before sliding the metal bracket onto the wiring in the same way as it was removed from the bike, as shown in picture 19.
- Once fitted, fit the domed nut and tighten to secure the indicator in place, as shown in picture 20.
- Repeat the above process for both indicators.

- With the indicators of choice fitted, feed the wiring through the two holes on either spar of the tail tidy, as shown in pictures 21 & 22 and feed the indicator and licence plate illuminator wiring up through the exposed hole on the underside of the tail bodywork. *Use the cable ties and self-adhesive cable clips supplied to route the wiring neatly.*
- Take the three connectors supplied (item 15 – CON0009) and connect one from the licence plate illuminator to the OEM connector (*if illumination fails, reverse the bullet connectors*).
- Fit the remaining two connectors to the indicator wiring as below:
- If fitting R&G Aero Indicators with LED's the yellow wire on the Aero Indicators connects with the black wire on the CON0009 and the black wire on the Mini Indicators connects with the red wire on the CON0009. 1x set of RGR0001 & RGR0002 resistors (mounted inline) (available separately) are required to achieve the correct flash rate.

R&G Racing

Unit 1, Shelley's Lane, East Worldham, Alton, Hampshire, GU34 3AQ

Tel: +44 (0)1420 89007 Fax: +44 (0)1420 87301 www.rg-racing.com Email: info@rg-racing.com



- If fitting R&G Mini Indicators with bulbs, the black wire on the Mini Indicators connects with the black wire on the CON0009 and the black/white wire on the Mini Indicators connects with the red wire on the CON0009.
- If fitting R&G LED Mini Indicators, the black wire on the Mini Indicators connects with the red wire on the CON0009 and the black/white wire on the Mini Indicators connects with the black wire on the CON0009. 1x set of RGR0001 & RGR0002 resistors (mounted inline) (available separately) are required to achieve the correct flash rate.
- Connect each connector up to the OEM wiring and check for the correct operation of all lights.
- Neatly secure the wiring within the tail unit using the cable ties supplied.
- Re-fit the pillion seat.
- Ensure the tail tidy is securely mounted and all bolts are fully tightened.
- Re-fit the licence plate (it may require drilling).
- Depending on local laws, attach enclosed reflector in an appropriate location.
- Test the licence plate illuminator and all lights before riding.

ISSUE 1 09/05/2016 (AR)