



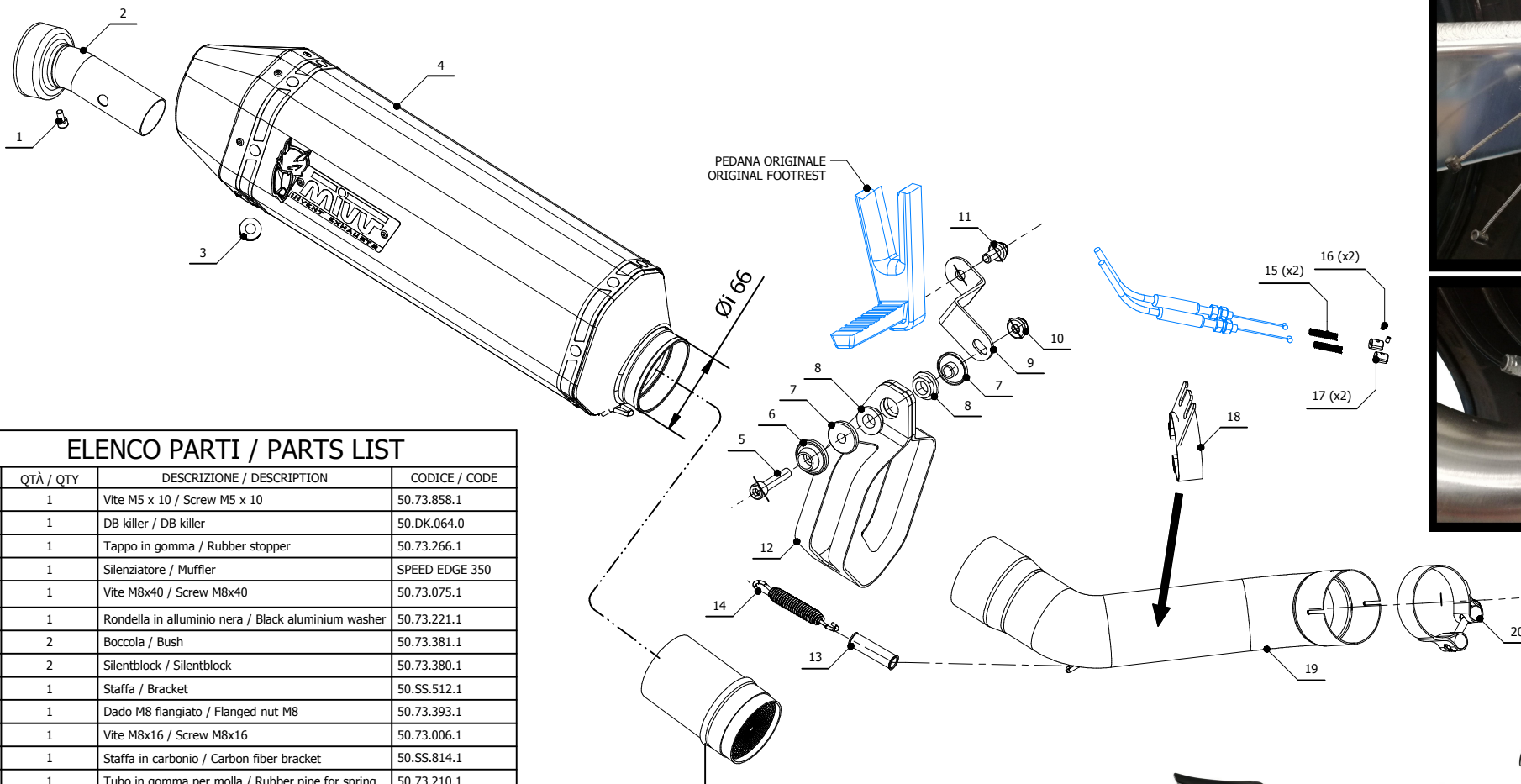
**MODEL** APRILIA TUONO V4 1100

**YEAR** 2018 -->

**LINE** SLIP ON

**MUFFLER** SPEED EDGE

**SCHEMATIC**



**ELENCO PARTI / PARTS LIST**

#	QTÀ / QTY	DESCRIZIONE / DESCRIPTION	CODICE / CODE
1	1	Vite M5 x 10 / Screw M5 x 10	50.73.858.1
2	1	DB killer / DB killer	50.DK.064.0
3	1	Tappo in gomma / Rubber stopper	50.73.266.1
4	1	Silenziatore / Muffler	SPEED EDGE 350
5	1	Vite M8x40 / Screw M8x40	50.73.075.1
6	1	Rondella in alluminio nera / Black aluminium washer	50.73.221.1
7	2	Boccola / Bush	50.73.381.1
8	2	Silentblock / Silentblock	50.73.380.1
9	1	Staffa / Bracket	50.SS.512.1
10	1	Dado M8 flangiato / Flanged nut M8	50.73.393.1
11	1	Vite M8x16 / Screw M8x16	50.73.006.1
12	1	Staffa in carbonio / Carbon fiber bracket	50.SS.814.1
13	1	Tubo in gomma per molla / Rubber pipe for spring	50.73.210.1
14	1	Molla media / Mid-size spring	50.73.359.1
15	2	Molla / Spring	50.73.142.1
16	2	Grani M3 / Grub screws M3	50.73.140.1
17	2	Morsetti in alluminio / Aluminium clamps	50.73.139.1
18	1	Fascetta passacavi / fairlead clamp	50.73.906.0
19	1	Tubo di raccordo / Link pipe	9773A012S2
20	1	Fascetta Ø 60/63 mm / Pipe clamp Ø 60/63 mm	50.FA.010.1

**Catalytic Converter**  
**Cod. ACC.045.A1**  
*Optional for A.012.LRX - A.012.LRB*  
*Included in A.012.KRX - A.012.KRB*

**APPLICAZIONI / APPLICATIONS**

CODICE / COD	SILENZIATORE / MUFFLER	TUBO / PIPE	FASCETTA / CLAMP	NOTE
A.012.LRX	INOX (COPPE CARBONIO) / ST. STEEL (CARBON CAPS)	INOX / ST. STEEL	CARBONIO / CARBON FIBER	CATALYTIC CONVERTER NOT INCLUDED
A.012.LRB	STEEL BLACK			
A.012.KRX	INOX (COPPE CARBONIO) / ST. STEEL (CARBON CAPS)	INOX / ST. STEEL	CARBONIO / CARBON FIBER	CATALYTIC CONVERTER INCLUDED
A.012.KRB	STEEL BLACK			

