



**MODEL** TRIUMPH SPEED TRIPLE

**YEAR** 2016 -->

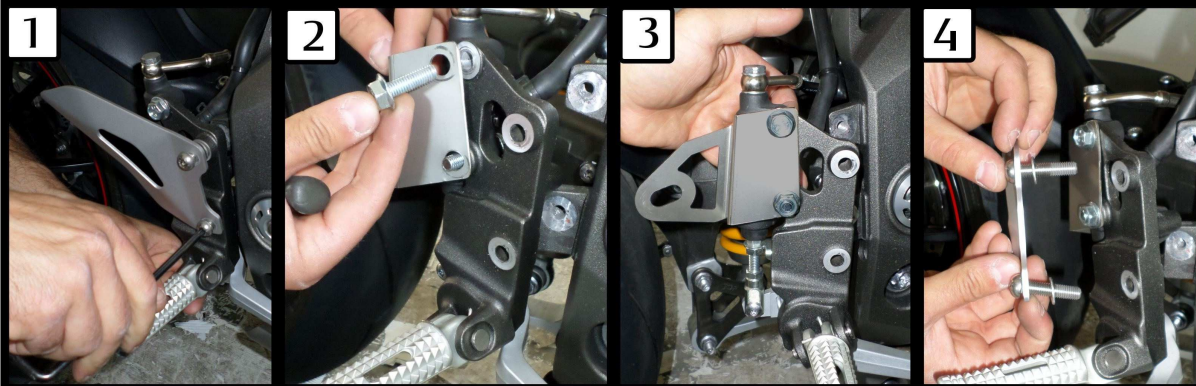
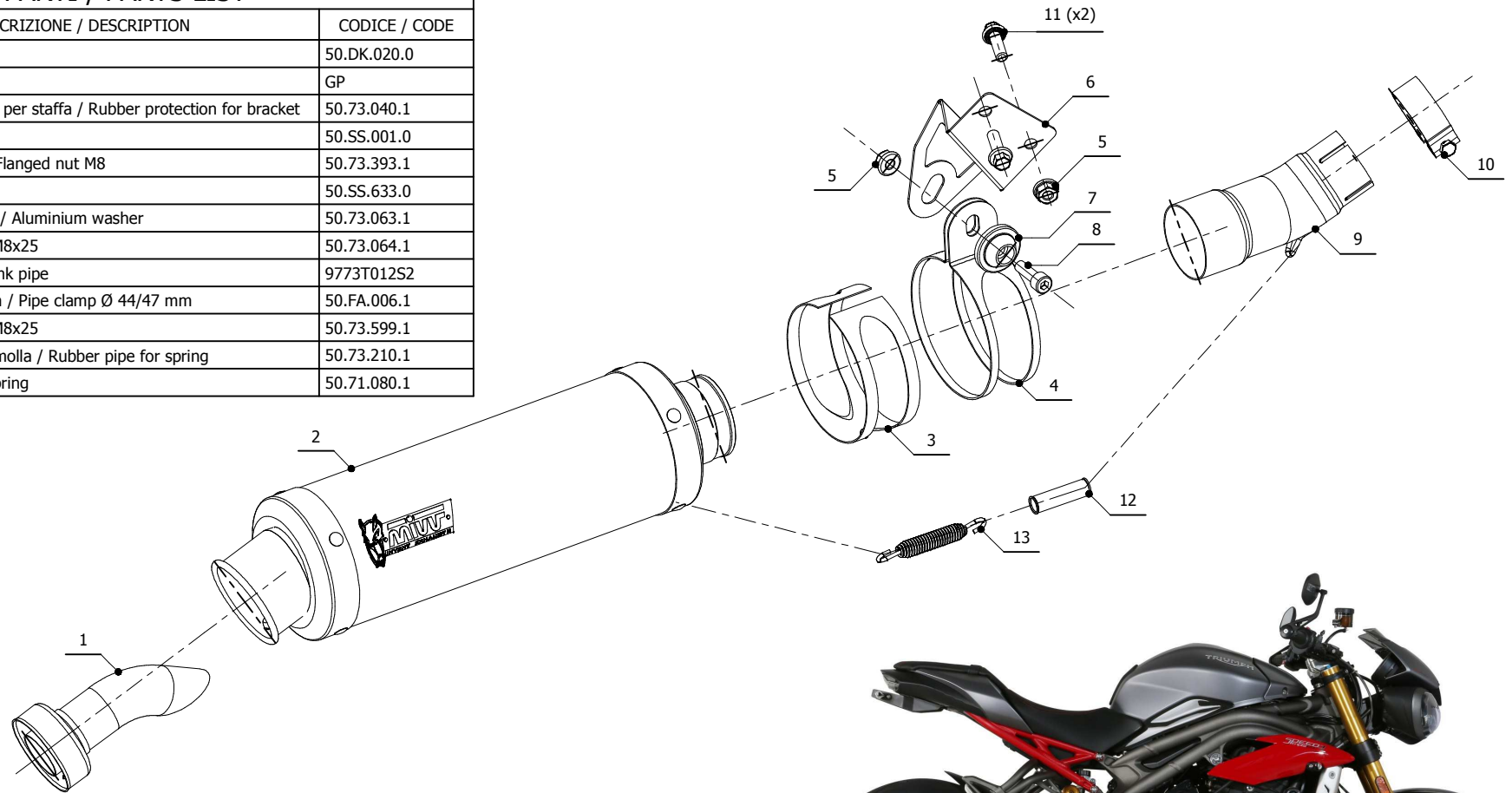
**LINE** SLIP ON

**MUFFLER** GP

**SCHEMATIC**

**ELENCO PARTI / PARTS LIST**

#	QTÀ / QTY	DESCRIZIONE / DESCRIPTION	CODICE / CODE
1	1	DB killer / DB killer	50.DK.020.0
2	1	Silenziatore / Muffler	GP
3	1	Protezione in gomma per staffa / Rubber protection for bracket	50.73.040.1
4	1	Staffa / Bracket	50.SS.001.0
5	2	Dado M8 flangiato / Flanged nut M8	50.73.393.1
6	1	Staffa / Bracket	50.SS.633.0
7	1	Rondella in alluminio / Aluminium washer	50.73.063.1
8	1	Vite M8x25 / Screw M8x25	50.73.064.1
9	1	Tubo di raccordo / Link pipe	9773T012S2
10	1	Fascetta Ø 44/47 mm / Pipe clamp Ø 44/47 mm	50.FA.006.1
11	2	Vite M8x25 / Screw M8x25	50.73.599.1
12	1	Tubo in gomma per molla / Rubber pipe for spring	50.73.210.1
13	1	Molla lunga / Long spring	50.71.080.1



**APPLICAZIONI / APPLICATIONS**

CODICE / CODE	SILENZIATORE / MUFFLER	TUBO / PIPE	FASCETTA / CLAMP
T.016.L2S	CARBONIO / CARBON FIBER		
T.016.L6S	TITANIO / TITANIUM	INOX / ST. STEEL	INOX / ST. STEEL
T.016.LXB	STEEL BLACK		