



MODEL YAMAHA WR 125

YEAR 2009 ->

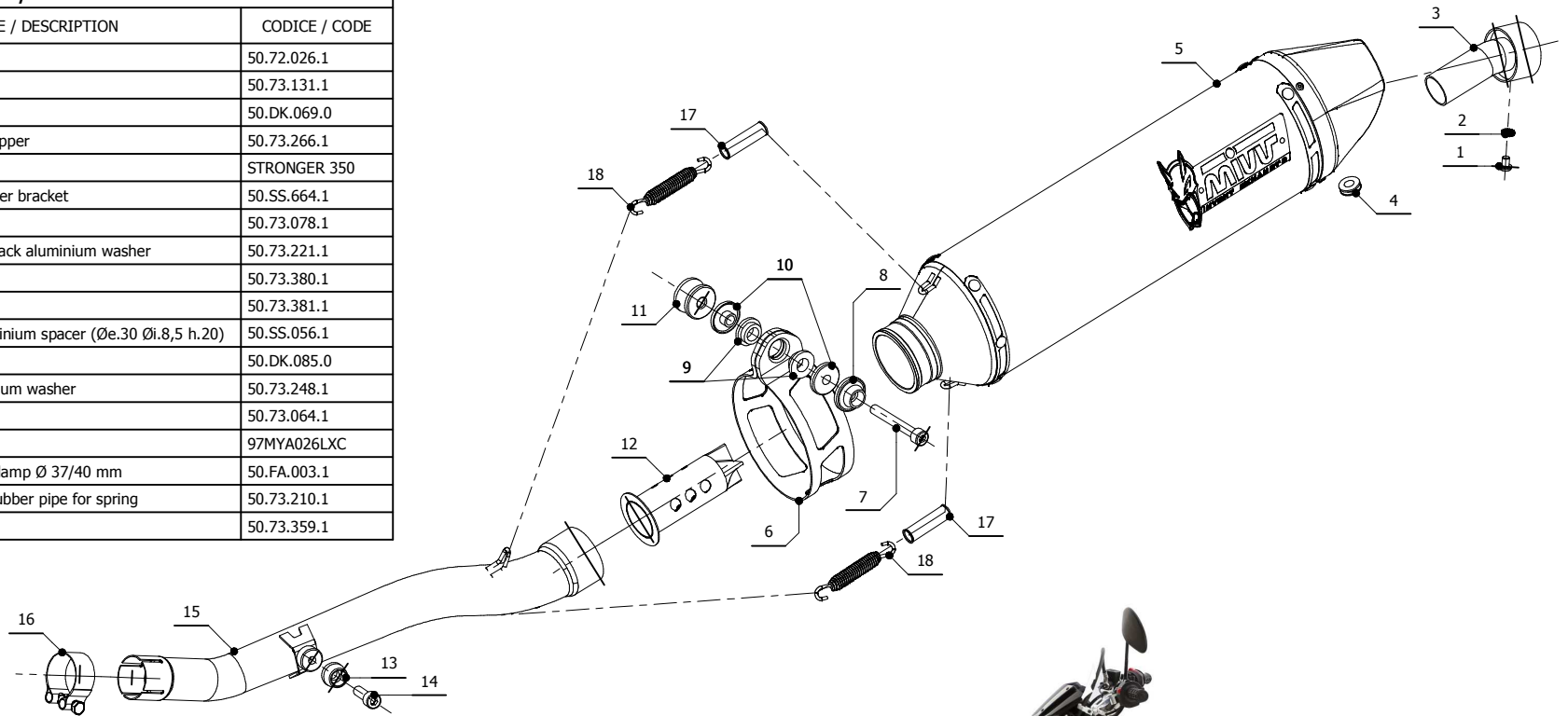
LINE STRONGER

MUFFLER OVAL CARBON CAP

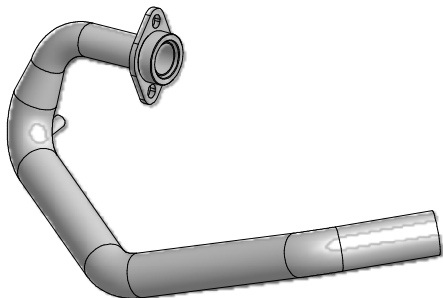
SCHEMATIC

ELENCO PARTI / PARTS LIST

#	QTÀ / QTY	DESCRIZIONE / DESCRIPTION	CODICE / CODE
1	1	Vite M6 x 8 / Screw M6 x 8	50.72.026.1
2	1	Rondella M6 / Washer M6	50.73.131.1
3	1	DB killer / DB killer	50.DK.069.0
4	1	Tappo in gomma / Rubber stopper	50.73.266.1
5	1	Silenziatore / Muffler	STRONGER 350
6	1	Staffa in carbonio / Carbon fiber bracket	50.SS.664.1
7	1	Vite M8x60 / Screw M8x60	50.73.078.1
8	1	Rondella in alluminio nera / Black aluminium washer	50.73.221.1
9	2	Silentblock / Silentblock	50.73.380.1
10	2	Boccola / Bush	50.73.381.1
11	1	Distanziale in alluminio / Aluminium spacer (Øe.30 Øi.8,5 h.20)	50.SS.056.1
12	1	Db Killer / DB killer	50.DK.085.0
13	1	Rondella in alluminio / Aluminium washer	50.73.248.1
14	1	Vite M8x25 / Screw M8x25	50.73.064.1
15	1	Tubo di raccordo / link pipe	97MYA026LXC
16	1	Fascetta Ø 37/40 mm / Pipe clamp Ø 37/40 mm	50.FA.003.1
17	2	Tubo in gomma per molla / Rubber pipe for spring	50.73.210.1
18	2	Molla media / Middle spring	50.73.359.1



OPTIONAL PARTS
M.YA.026.C1 - FRONT PIPE



APPLICAZIONI / APPLICATIONS

CODICE / CODE	TUBO / PIPE	SILENZIATORE / MUFFLER	FASCETTA / CLAMP
M.YA.026.LXC	INOX / ST.STEEL	INOX (COPPA CARBONIO) / ST. STEEL (CARBON CAP)	CARBONIO / CARBON FIBER
M.YA.026.LBSC	INOX / ST.STEEL	STEEL BLACK	CARBONIO / CARBON FIBER