



MODEL SUZUKI GSX-S 1000 / 1000F YEAR 2015

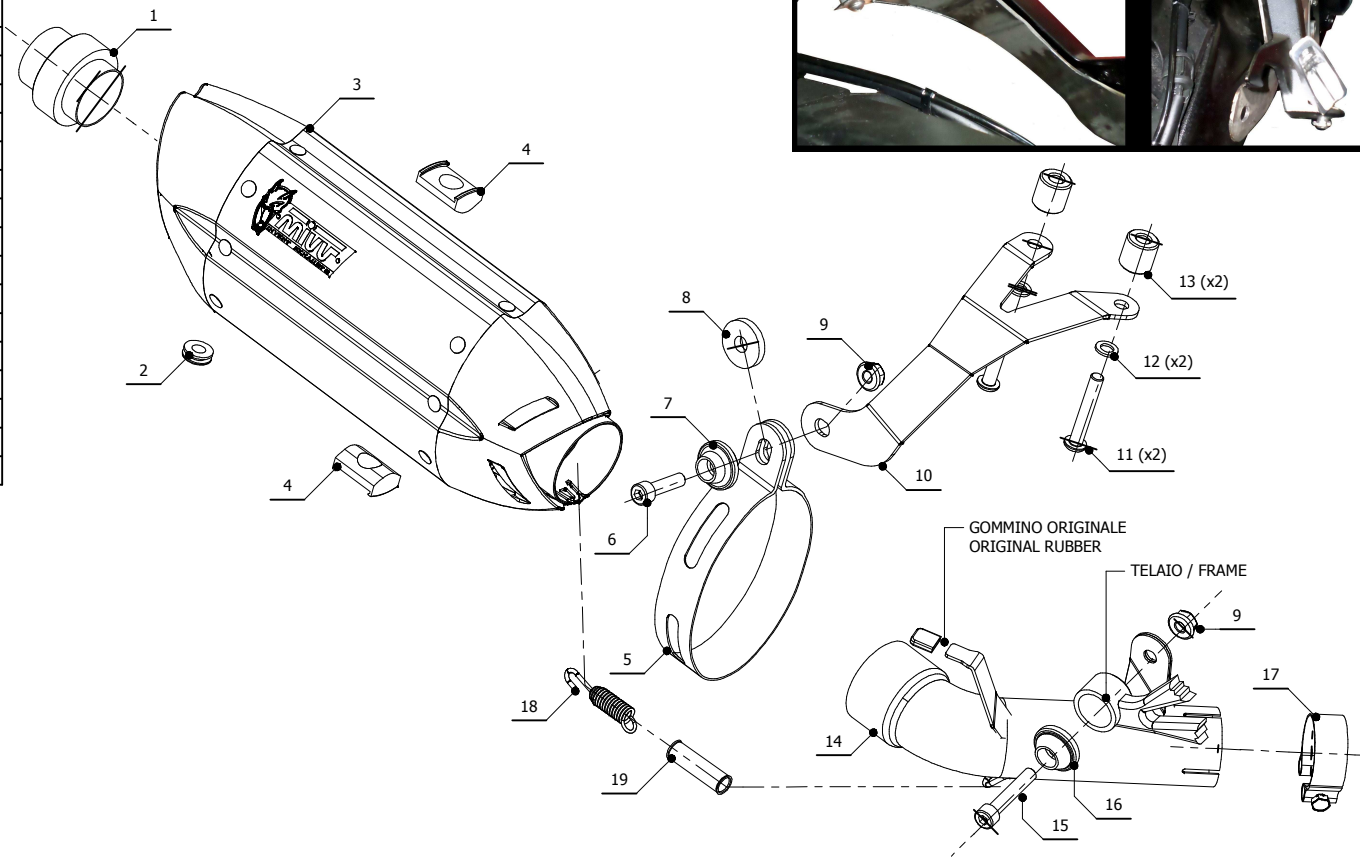
LINE SPORT

MUFFLER SUONO

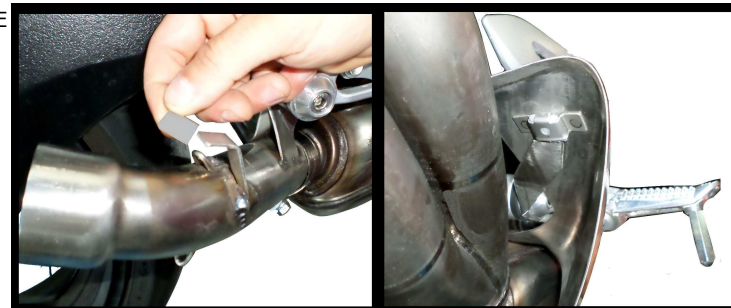
SCHEMATIC

ELENCO PARTI / PARTS LIST

#	QTÀ / QTY	DESCRIZIONE / DESCRIPTION	CODICE / CODE
1	1	DB killer / DB killer	50.DK.075.0
2	1	Tappo in gomma / Rubber stopper	50.73.266.1
3	1	Silenziatore / Muffler	SUONO 200
4	2	Tassello grande / Rubber big block	50.73.203.1
5	1	Staffa in carbonio / Carbon fiber bracket	50.SS.180.1
6	1	Vite M8x30 / Screw M8x30	50.73.219.1
7	1	Rondella in alluminio nera / Black aluminium washer	50.73.221.1
8	1	Rondella in gomma / Rubber washer	50.73.227.1
9	2	Dado M8 flangiato / Flanged nut M8	50.73.393.1
10	1	Staffa / Braket	50.SS.914.0
11	2	Vite M8 x 50 / Screw M8 x 50	50.73.088.1
12	2	Rondella M8 / Washer M8	50.73.270.1
13	2	Distanziale in alluminio / Aluminium spacer (Øe.20 Øi.8,5 h.20)	50.SS.073.1
14	1	Tubo di raccordo / Link pipe	9773S044S2
15	1	Vite M8x45 / Screw M8x45	50.73.602.1
16	1	Rondella alluminio / Aluminium washer	50.73.291.1
17	1	Fascetta Ø 44/47 mm / Pipe clamp Ø 44/47 mm	50.FA.006.1
18	1	Molla corta / Short Spring	50.73.123.1
19	1	Tubo in gomma per molla / Rubber pipe for spring	50.73.210.1



FISSAGGIO COVER ORIGINALE
FITTING ORIGINALE COVER



APPLICAZIONI / APPLICATIONS

CODICE / CODE	TUBO / PIPE	SILENZIATORE / MUFFLER	FASCETTA / CLAMP	CODICE OMOL. / HOMOL. CODE
S.044.L7	INOX / ST. STEEL	INOX (COPPE CARBONIO) / ST. STEEL (CARBON CAPS)	CARBONIO / CARBON FIBER	ME008 e9 1176
S.044.L9	INOX / ST. STEEL	CARBONIO (COPPE CARBONIO) / CARBON (CARBON CAPS)	CARBONIO / CARBON FIBER	ME008 e9 1176