



**MODEL** SUZUKI GSX-R 125

**YEAR** 2017 -->

**LINE** FULL SYSTEM

**MUFFLER** SUONO

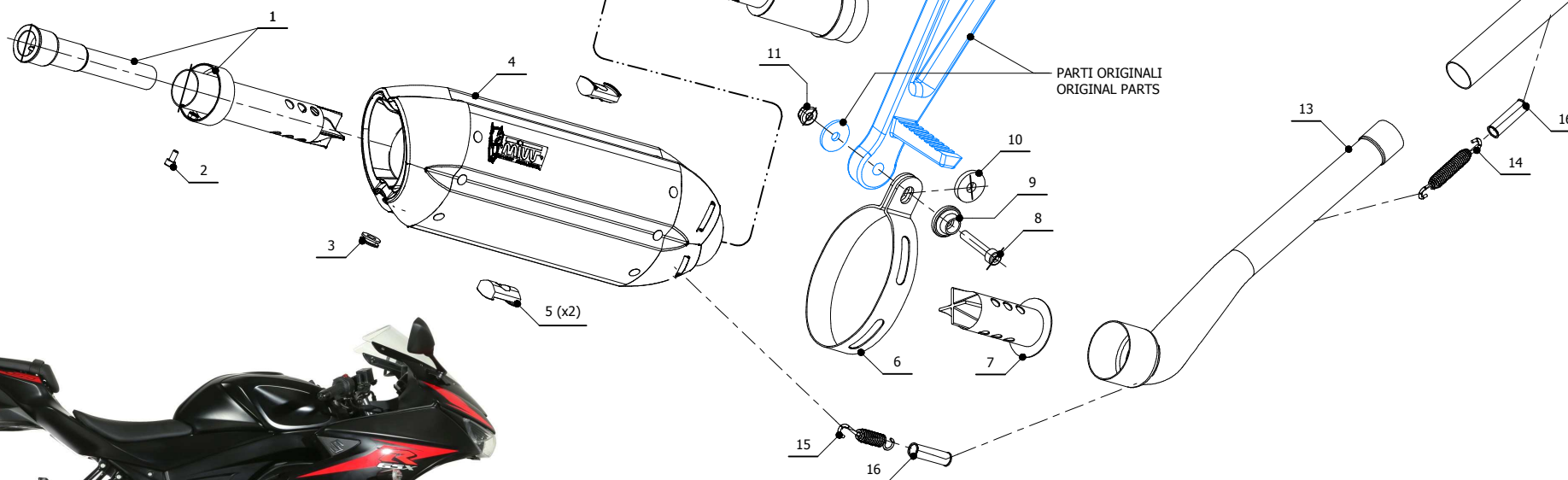
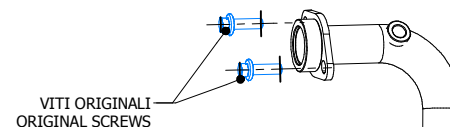
**SCHEMATIC**

**ELENCO PARTI / PARTS LIST**

#	QTÀ / QTY	DESCRIZIONE / DESCRIPTION	CODICE / CODE
1	1	DB killer / DB killer	50.DK.143.0
2	1	Vite M5x10 / Screw M5 x 10	50.73.858.1
3	1	Tappo in gomma / Rubber stopper	50.73.266.1
4	1	Silenziatore / Muffler	SUONO 270
5	2	Tassello / Rubber block	50.73.203.1
6	1	Staffa in carbonio / Carbon fiber bracket	50.SS.180.1
7	1	Db Killer / DB killer	50.DK.081.0
8	1	Vite M8x45 / Screw M8x45	50.73.602.1
9	1	Rondella in alluminio nera / Black aluminium washer	50.73.221.1
10	1	Rondella in gomma / Rubber washer	50.73.227.1
11	1	Dado M8 flangiato / Flanged nut M8	50.73.393.1
12	1	Tube di raccordo / Link pipe	9773S055S2A
13	1	Tube di raccordo / Link pipe	9773S055S2B
14	1	Molla media / Middle spring	50.73.359.1
15	1	Molla corta / Short Spring	50.73.123.1
16	2	Tube in gomma per molla / Rubber pipe for spring	50.73.210.1

**Catalytic Converter**  
Cod. ACC.044.A1

*Optional for S.055.L7 - S.055.L9  
Included in S.055.K7 - S.055.K9*



**APPLICAZIONI / APPLICATIONS**

CODICE / CODE	SILENZIATORE / MUFFLER	TUBO / PIPE	FASCETTA / CLAMP	NOTE
S.055.L7 S.055.L9	INOX (COPPE CARBONIO) / ST. STEEL (CARBON CAPS) STEEL BLACK	INOX / ST. STEEL	CARBONIO / CARBON FIBER	CATALYTIC CONVERTER NOT INCLUDED
S.055.K7 S.055.K9	INOX (COPPE CARBONIO) / ST. STEEL (CARBON CAPS) STEEL BLACK	INOX / ST. STEEL	CARBONIO / CARBON FIBER	CATALYTIC CONVERTER INCLUDED